

17a. Please refer to the separate instruction sheet for anti-entrapment barrier installation.



18. "Swing" up portion of ladder shown in "down" position and the padlock in the "holding" area.



19. Swing up portion of ladder shown in "up" position, secured with padlock.

TO PREVENT FLOATING

Fill the "inner" ladder legs with water and cover the four fill holes with plugs. Place the ladder over the pool top seat with the swing up treads on the outside of the pool. Tip the ladder sideways to allow the treads to fill the water. This will prevent floating. The platform should rest on the pool top seat and the bottom tread should rest firmly on the pool bottom. If they do not, the extension boots may be adjusted up or down as required to achieve the best fit.

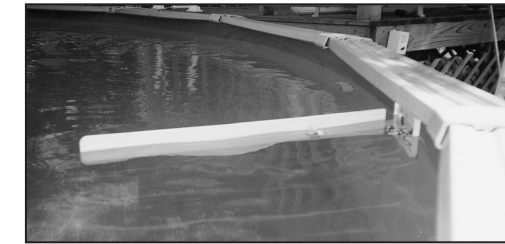
For maximum stability, the ladder should be fastened to the top of the pool. Position the ladder at the desired location on the pool top seat and mark the two locations of the holes in the platform onto the top seat. Move the ladder away, and being careful not to drill into the liner, drill two holes through the top seat. Fasten the ladder to the top seat using two 1/4-20 x 2-1/4" bolts, 1/4" flat washers, and 1/4-20 hex nuts.

OPTIONAL CONVERSION KIT

To easily convert your ladder to a deck ladder order our #CK7100 (specify G for gray or W for white). The conversion kit includes all parts and hardware needed. Check for availability at your local pool dealer or order online at www.conferladders.com

OPTIONAL ACCESSORY

SKIM-IT SKIMS OFF DEBRIS Cut cleaning time 75% with skimmer extension that guides debris directly into your skimmer. Fits most in-ground and above-ground pool skimmers. Corrosion-resistant plastic Skim-It installs in seconds without tools.



Order online @ www.conferladders.com

SAFETY RULES

- Locate ladder on a solid base
- One person on the ladder at a time
- Ladder **MUST** be installed per manufacturer's instructions
- **DANGER: No Jumping or Diving from ladder**
- **Face ladder when entering and leaving pool**
- **To prevent entrapment or drowning - Do not swim through, behind or around ladder**
- Ladder to be used as a swimming pool ladder only
- Ladder must be fastened to top seat
- Maximum weight on steps not to exceed **300 lbs.**
- When ladder is not in use lock up outer treads with cable lock provided

WARNING: Exceeding the recommended weight requirement may cause the ladder to fail.

***DANGER: Never use an electric drill in or around the pool**



LIMITED, PRO-RATED WARRANTY

Confer Plastics, Inc. warrants their swimming pool ladders to be free from defects in workmanship for one year from date of purchase. After the first year the cost to replace a part is as follows:

- 2nd Year - 20%
- 3rd Year - 40%
- 4th Year - 60%
- 5th Year - 80%

Plus shipping/handling charges

DO NOT RETURN DEFECTIVE PART TO DEALER

The defective part should be returned, postpaid, to: Confer Plastics, Inc.
97 Witmer Road
North Tonawanda
N.Y. 14120-2421

Enclose proof-of-purchase (receipts, etc.) showing date purchased, your name, address, and daytime phone number. You will be notified of cost to replace part. *This warranty gives you specific legal rights, and you may also have other rights which may vary from state to state.*

MADE IN THE U.S.A. by:



Printed in U.S.A.

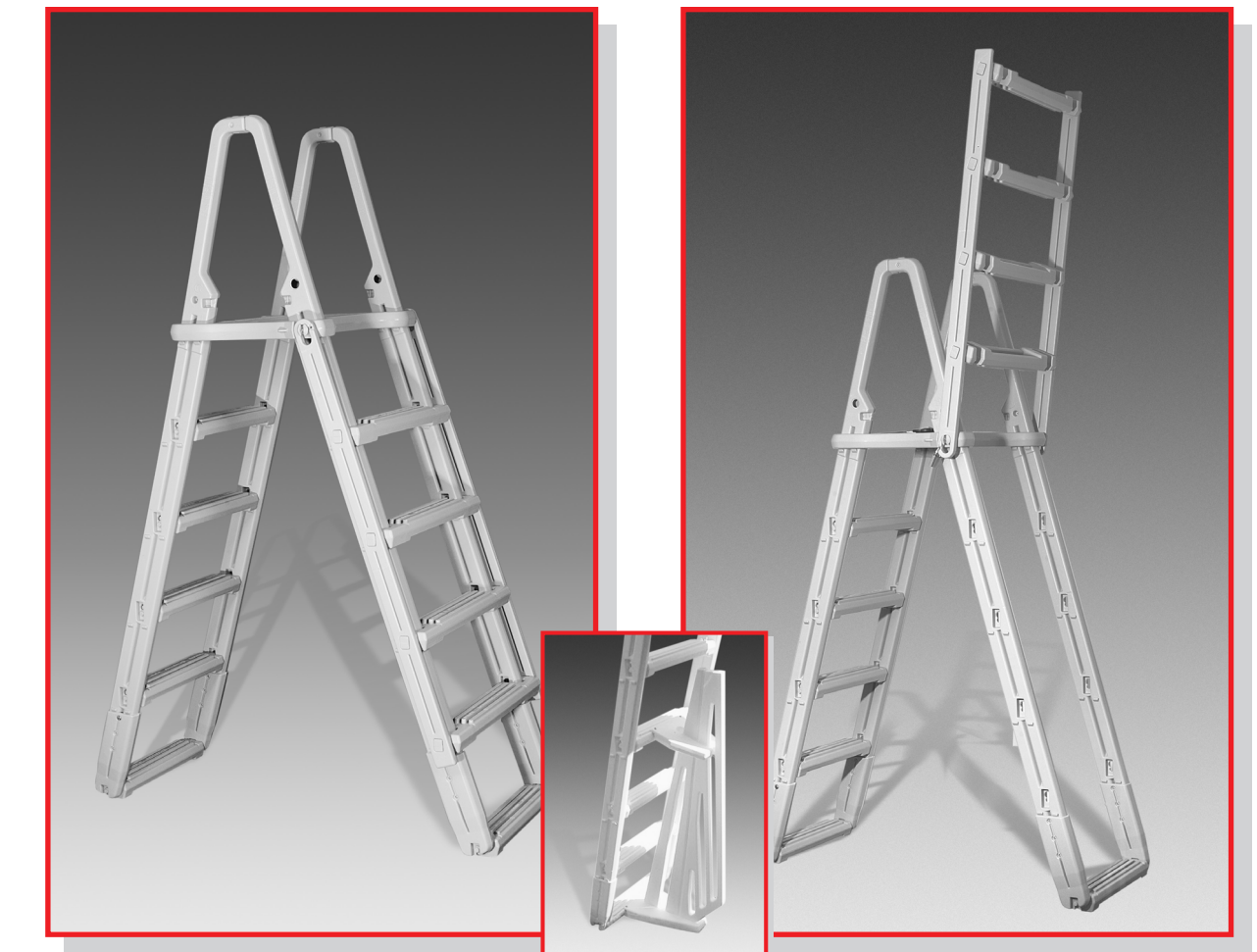
97 Witmer Road
North Tonawanda, New York 14120-2421
Toll Free U.S. 800-635-3213
716-694-3100 / FAX 716-694-3102
www.conferladders.com

SAVE THESE INSTRUCTIONS
DEALER/INSTALLER: GIVE TO HOMEOWNER

MODEL #7100

"EVOLUTION" A-FRAME LADDER

Assembly Instructions



As required by ANSI/NSPI - This ladder is equipped with an anti-entrapment barrier to prevent children from swimming behind or through the rungs of the ladder. It is NOT intended as a substitute for proper adult supervision.

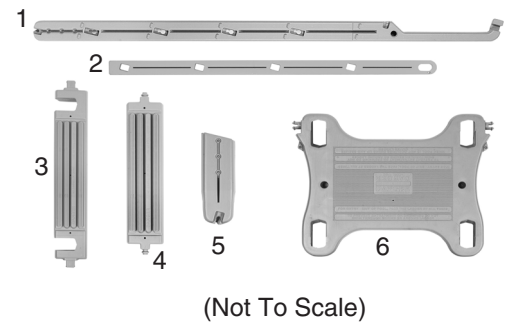


Made in U.S.A. by

MODEL # 7100 "EVOLUTION" A-FRAME LADDER

ADJUSTABLE to fit 48" TO 54" ABOVE GROUND Pools

| PARTS LIST | | HARDWARE PACK | |
|------------|---------------------|---------------|------------------------|
| 1 | 4 - Ladder Leg | 4 | - 1/4-20 x 1-3/4" Bolt |
| 2 | 2 - Tread Connector | 4 | - 1/4-20 Acorn Nut |
| 3 | 4 - Swing up" Tread | 2 | - #10 x 1-1/4" Screw |
| 4 | 6 - Standard Tread | 2 | - 1/4-20 x 2-1/4" Bolt |
| 5 | 4 - Extension Boot | 2 | - 1/4" Flat Washer |
| 6 | 1 - Platform | 2 | - 1/4-20 Hex Nut |
| | | 4 | - Plug (White) |
| | | 1 | - Padlock |



Tools required for assembly:

Mallet or hammer, phillips screwdriver, adjustable wrench, liquid dish detergent or silicone spray, battery operated drill motor, 5/16" drill bit.

***Note: if you are using this ladder on a 48" pool you will not use the extension boots. Proceed to #4**



1.
If the round plastic inserts, on the sides of the extension boots, are still in place, remove them with a phillips head screwdriver as shown.



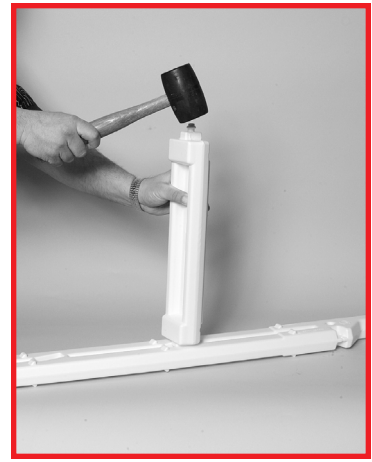
2.
Slip the four extension boots over the ends of the assembled ladders legs. They will need to be all the way on for most 52" tall pools and backed off one hole for 54" pools. Depending upon ground levels outside the pool, and sand levels under the liner inside the pool, a final adjustment may need to be made after the ladder is put into place.



3.
Using four 1/4-20 x 2" long bolts and four acorn nuts fasten the extension boots to the ladder legs



4.
Remove the keyhole slot inserts from two of the ladder legs



5.
Push the end of one of the standard treads into the uppermost keyhole slot. Make sure that the tread and the ladder leg are positioned as shown in the photograph above. It may be necessary to tap the tread into the slot with a mallet. Repeat for three additional treads.



8.
Tap the treads downward so that they seat fully into the bottom of the keyhole slots.



10.
Slip the other two ladder legs through the openings of the platform until they engage the other ladder legs as shown in next photo.



9.
Making sure that the "swing-up" side of the platform is facing away from the "inside" ladder section, as shown, slip the openings of the platform over the upper ends of the ladder legs. Using a mallet or hammer tap the platform down until it is fully seated onto the "nubs" of the ladder legs. A small amount of dish detergent or silicone spray will help the parts slide together.



11.



6.
Attach one of the ladder legs to the opposite ends of the four standard treads making sure that the curved upper ends are both facing in the same direction.



7.
Tap the ladder leg down onto the ends of the treads.



12.
Making sure that the Tap the platform down until it is fully seated on the "lugs" of the legs as shown.



13.
Using a #10 x 1-1/4" screw fasten the upper ends of the ladder legs together as shown. Repeat for opposite side.



14.
Attach the two remaining standard treads to the extension boots (or directly to the ends of the ladder legs if installing on a 48" tall pool).



15.
Position the four "swing up" treads onto the ladder legs as shown.



16.
Position the tread connector as shown, with the padlock hole facing upward, and tap it over the round knob. Repeat for the opposite tread connector.



17.
Tap the tread connectors onto the ends of the treads until they are firmly seated.