



1004 Jaycox Rd, Avon OH 44011

1-888-333-1134

www.GoMainAccess.com



INPOOL LADDER ASSEMBLY

For Models #200200(T) Easy Incline & #200300 Pro Series

Shown with handrails mounted in deckboard

Attention: DO NOT return product to store! If you have any damaged or missing components, please contact Main Access customer service for immediate assistance at 1-888-333-1134 or info@MainAccess.com.

All assembly videos available GoMainAccess.com or YouTube

Be sure to check out the wide variety of products that Main Access offers!

AQUA CLOUD
OVERSIZED FLOATING MATRESS



Illuminate Your Life



The Anchor



SmartLite
RECHARGABLE UNDERWATER LED LIGHT



Assembly Instructions for Models #200200(T) Easy Incline & #200300 Pro Series



INPOOL LADDER ASSEMBLY

For Models #200200(T) Easy Incline & #200300 Pro Series

Ladder Components	Qty
A) In-Pool Ladder Body	1
B) Handrails	2
C) Deck Flange	2

Hardware Kit	Qty
D) #10 x 3/4" Tek Screw	4
E) #10 x 1" Panhead Screw	6

Tools Required: Phillips and standard screwdriver or bit, drill, 1-1/2" hole saw, pencil.

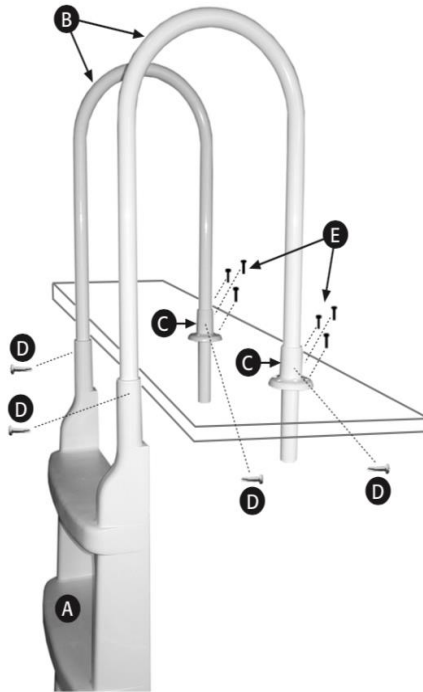
Note: Handrails should be mounted through the deck boards for proper installation.

Note: Before you begin the assembly of your ladder/step, please insure you have all components and hardware.

Note: Contact our customer service department to request any missing or damaged parts, hardware or labels at 888-333-1134.

SAFETY INSTRUCTIONS:

- Install ladder per manufacturer's instructions.
- Locate IN-POOL LADDER on solid base.
- Ladder is designed for use by one person at a time.
- This ladder is intended for use as a swimming pool ladder only.
- Face ladder when entering and exiting the pool.
- No jumping, no diving from ladder.
- Do not swim through, behind or around the ladder.

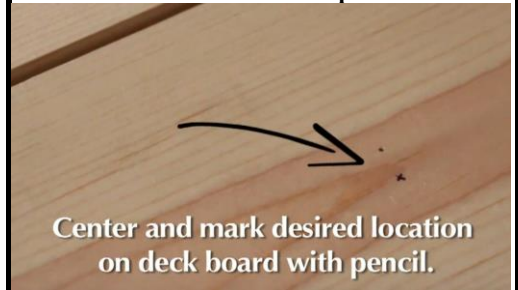


STEP BY STEP ASSEMBLY INSTRUCTIONS

Step 1: Insert handrails into ladder body.



Step 2: Center and mark desired hole location on deck boards with pencil.



Step 3: Use 1 1/2" hole saw to create handrail holes in deck boards.



Step 4: Center deck flanges over holes and mount to deck using (6) #10 x 1" screws.



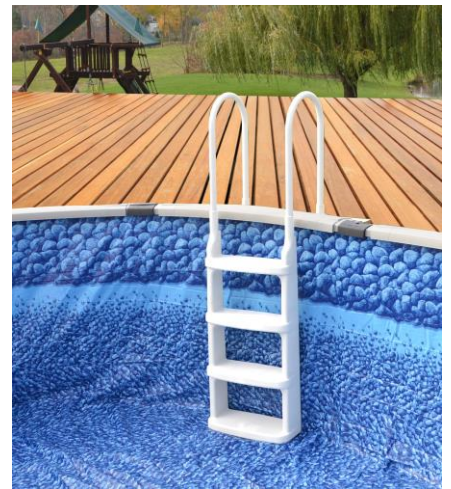
Step 5: Insert handrails down through deck flanges until ladder body is resting flat on pool floor.



Step 6: Secure handrails to deck flanges using #10 x 3/4" tek screws.



Finished!



NOTE: Be sure to fully insert the handrail into the ladder socket and secure with one set screw #10 x 3/4" Tek Screw (D). Screw should be secured through outside of each ladder socket into the handrail to act as a set screw to secure the handrail to the ladder body.



For Questions Regarding Installation, Please Contact Main Access Customer Service 1-888-333-1134 or Info@MainAccess.com