

OWNER'S MANUAL



 **Polaris280**

IMPORTANT INFORMATION

SERIAL NUMBER

# Important Information

- Before installing the Polaris, make sure the pool filter is clean.
- New plumbing lines should be flushed out before installing the Polaris.
- The Polaris should not be used to remove plaster dust in new pools.
- Except when checking the wheel RPM, do not handle the Polaris while it is operating.
- Always remove the Polaris **before swimmers enter the pool**.
- Disconnect the Polaris from the pool wall when cleaning or backwashing the pool filter.
- Always remove the Polaris from the pool before chemical shock treatments.
- After cleaning or backwashing, let the filtration system run for at least five minutes before re-connecting the Polaris.

## For customer service or support:

- Please mail Warranty Card immediately.
- For on-line support: [www.polarispool.com](http://www.polarispool.com)
- To contact Polaris: **US and Canada**  
Customer Service  
2620 Commerce Way  
Vista, CA 92081-8438  
1-800-822-7933

### Polaris Vac-Sweep® 280 Limited Warranty

This one year limited warranty is extended to the original consumer purchaser of this Polaris Vac-Sweep 280 Automatic Pool Cleaner manufactured by Zodiac Pool Care, Inc., from date of manufacture of the unit as established by the serial number, or one year from date of purchase with proof of purchase, whichever is later. Zodiac warrants this product, including all parts and components thereof, to be free of defects in material and workmanship. Normal replacement items such as bags, tires, sweep hoses or sweep hose scrubbers which have been worn out by use or improper installation are not covered by this warranty. The Polaris 280 frame is warranted for a period of five years.

This limited warranty does not apply if the failure is caused or contributed to by any of the following: improper handling, improper usage, improper storage, winter freezing, abuse, improper installation, removal of the in-line filter screen, unsuitable application of the unit, improper maintenance, lack of reasonable and necessary maintenance, damage in transit or during installation, or damage from repairs/alterations made or attempted by anyone other than Zodiac or one of its Authorized Service Centers. In no event shall Zodiac be liable for incidental or consequential damages of any nature or for damages to persons or property, including damage to vinyl liners, plaster, tile, aggregate-based and other pool surfaces, or damages resulting from the use of this product with a substandard pool circulation system or chemical imbalance.

Authorization to return a unit or part to the plant of manufacture must be obtained from the Zodiac Customer Service Department. Check with your dealer for the local procedure before exercising this warranty. If further directions or instructions should be required, contact the Customer Service Department at 1-800-822-7933 (USA and Canada only) or (760) 599-9600. Be sure to insure the shipment against loss or damage in transit.

This limited warranty is valid only in the United States of America, Canada and Australia, and it does not apply to Polaris Vac-Sweep 280 Automatic Swimming Pool Cleaners sold or installed in any other country. Polaris Vac-Sweep 280 Automatic Pool Cleaners sold in the United Kingdom are warranted for a period of two years from date of invoicing to the first user.

#### WARNING: USE OF POLARIS 280 IN A VINYL LINER POOL

Certain vinyl liner patterns are particularly susceptible to rapid surface wear or pattern removal caused by objects coming into contact with the vinyl surface, including pool brushes, pool toys, floats, fountains, chlorine dispensers, and automatic pool cleaners. Some vinyl liner patterns can be seriously scratched or abraded simply by rubbing the surface with a pool brush. Ink from the pattern can also rub off during the installation process or when it comes into contact with objects in the pool. Zodiac is not responsible for, and the Limited Warranty does not cover, pattern removal, abrasion or markings on vinyl liners.

U.S. Patents: 6,908,550; 4,589,986; 5,863,425; D409,341. Foreign Patents: 732645; 2,260,903; 85149; 135,543; 2,072,463; 981274; 142,198; and other patents pending. Unique product shape is a registered trademark.

## Introduction

Congratulations on the purchase of your new automatic pool cleaner, and thank you for choosing Polaris. The Polaris Vac-Sweep 280 is designed to give you years of dependable and efficient service.

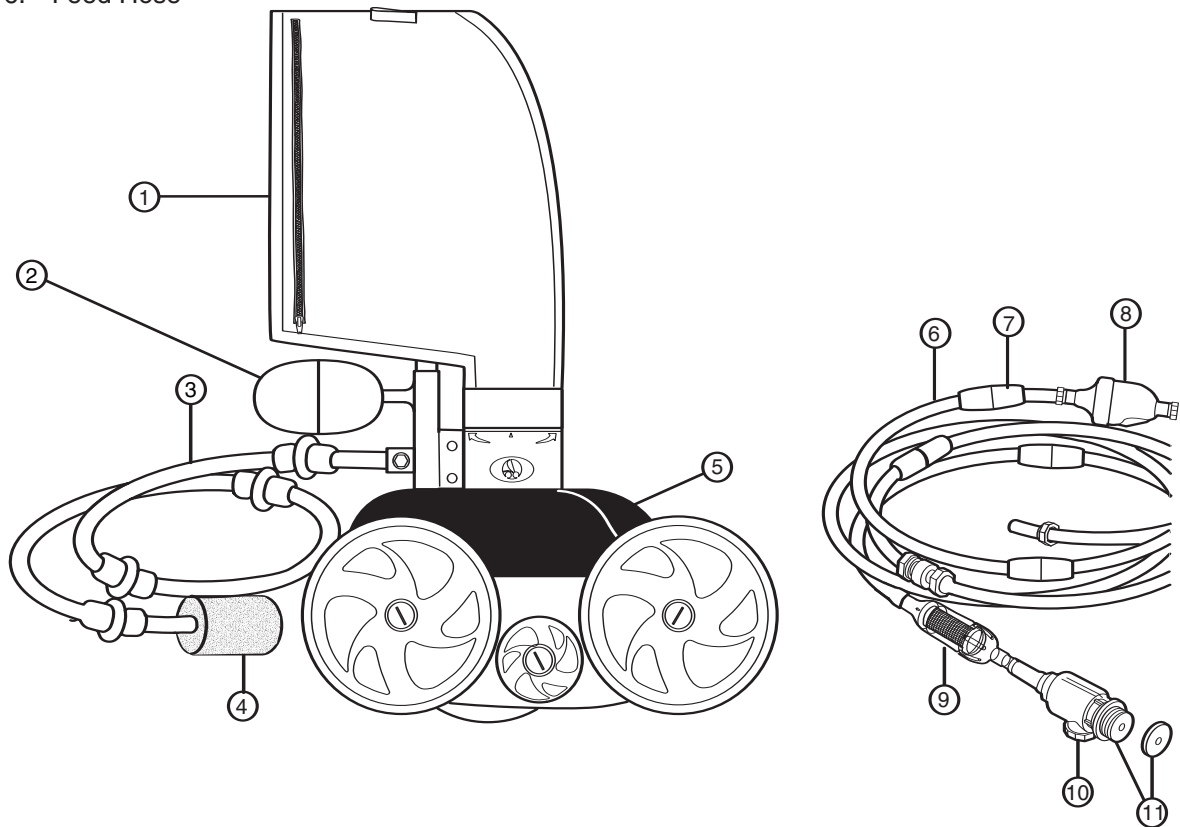
Like most mechanical devices, it will require periodic adjustments, routine maintenance, and the replacement of certain hardworking parts. Please have your cleaner checked occasionally by your local Polaris dealer or authorized service center.

Always insist on genuine Polaris replacement parts. Non-Polaris parts are not made to our specifications. They may have an adverse effect on the operation of your Polaris or may even damage it.

For best results, the Polaris 280 should be installed by a pool professional. For those with experience and confidence in handling plumbing and mechanical equipment, installation is outlined in this manual.

### Polaris 280 Complete Cleaner

1. All-Purpose Zippered Bag
2. Head Float
3. Sweep Hose
4. Sweep Hose Scrubber
5. Cleaner Body
6. Feed Hose
7. Hose Floats
8. Back-up Valve
9. In-Line Filter Assembly
10. Quick Disconnect with Universal Wall Fitting (UWF)
11. Restrictor Disks (one red and one blue)



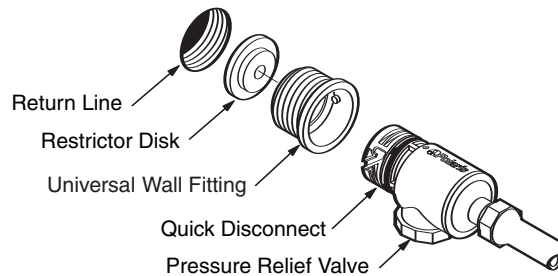
## Quick Installation Instructions

# 1

### Install the Universal Wall Fitting

Installs in minutes on pools with a dedicated cleaner return line and a threaded 1-1/2" female pipe fitting.

1. Turn on the filtration pump and flush out the plumbing line. Turn pump off.
2. Remove the UWF from the Quick Disconnect and screw the UWF with the blue restrictor disk into the return opening.
3. Turn the Quick Disconnect clockwise into the UWF and pull away to secure.



# 2

### Adjust Feed Hose To Fit Pool Length

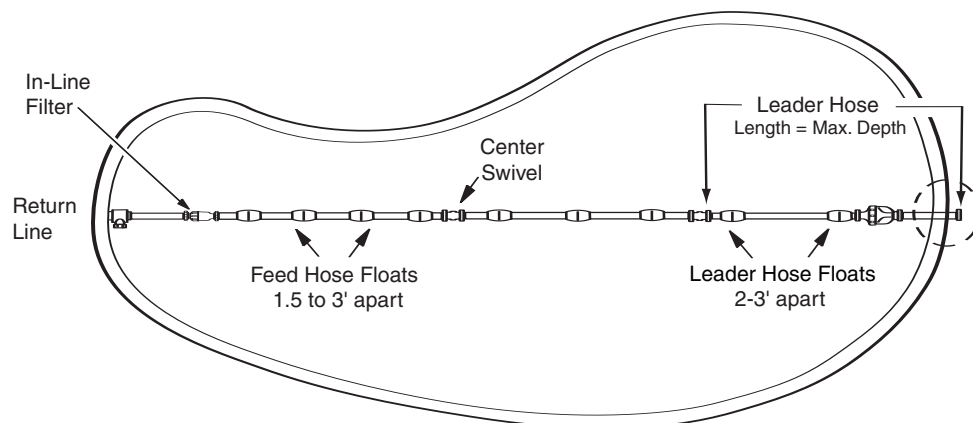
Measure the deepest part of the pool. Cut leader hose, from end that attaches to feed hose, so length is equal to the greatest depth of the pool.

Attach leader hose to feed hose and connect hose to the pool wall at the return line. Extend hose to farthest point of pool. The hose end must be within 6" – longer or shorter – of the farthest point. See dotted circle.

**Hose too long?** Separate hose at center swivel. Cut equal amounts of the overage from each 10-foot feed hose section.

**Hose too short?** Buy an additional feed hose section (part #9-100-3104), one swivel (part #D20) and two hose nuts (part #D15) from an authorized Polaris dealer.

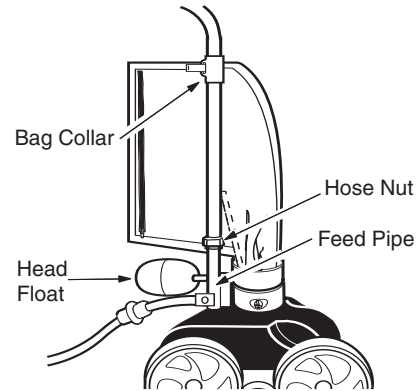
After adjusting hose, position hose floats as shown.



## 3

**Assemble the Cleaner**

1. Use the nut to attach the feed hose to the feed pipe.
2. Pull out the bag and attach the bag collar to the feed hose.
3. Position the head float 1/2 to 1 inch back from feed pipe.
4. Turn on the pool filtration pump and allow it to prime before turning on the booster pump.

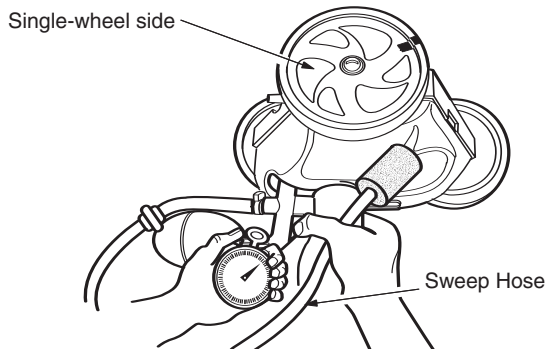


## 4

**Check for Proper RPM**

Before operating the Polaris, check for proper wheel revolutions per minute (RPM). For maximum efficiency, the Polaris should operate **between 28 and 32 RPM**.

1. Mark the single-wheel side tire.
2. Turn pump on, hold cleaner below water level and count wheel revolutions for 1 minute.



If count is **less than 28 RPM**:

- Check the filter screen in the in-line filter for debris that restricts water flow.
- Clean the skimmer, filter and pump basket, clearing debris that restricts water flow.
- Check the hoses, connections and swivels for leaks that cause loss of water pressure.
- Remove the blue restrictor disk from the UWF.
- If an adjustable gate valve is installed on the booster pump or cleaner line, open it completely so water can flow freely to the Polaris.

If count is **more than 32 RPM**:

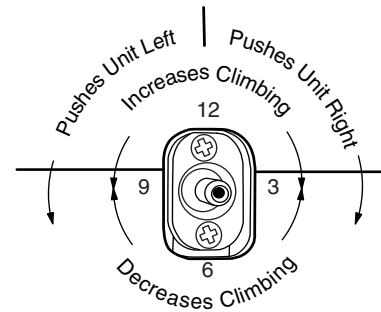
- Replace the blue restrictor disk in the UWF with the red restrictor. If the flow is still too high, unscrew the pressure relief valve until the proper RPM is reached. Note: The pressure relief valve should only be adjusted when a restrictor is installed.
- If an adjustable valve is installed after the booster pump, adjust it to reduce the water flow to the cleaner.

## Fine Tuning The Polaris Cleaner

The Polaris 280 vacuums, sweeps and scrubs all surfaces randomly throughout the pool. Approximately every 3 minutes the cleaner goes into back-up mode. This action pulls the Polaris away from pool obstacles and increases its random pattern.

### Thrust Jet Adjustment

The thrust jet powers the direction of the Polaris. Factory position is straight back, but depending on the pool, other settings may be helpful.



### Sweep Hose Adjustment

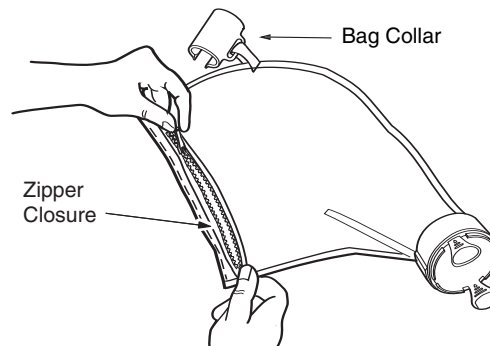
The sweep hose should move in a gentle sweeping motion. To adjust, turn off the booster pump and turn the sweep hose adjustment screw. Turn clockwise to decrease the motion.

## Routine Maintenance

### Cleaning the Bag

Remove the bag collar from the feed hose. Twist the bag connector until it disengages with a clicking sound from the feed pipe. Pull off the filter bag, open the closure and dump out the debris. To reinstall, align markings on connector and feed pipe. Click connector into position on pipe and reattach bag collar to hose.

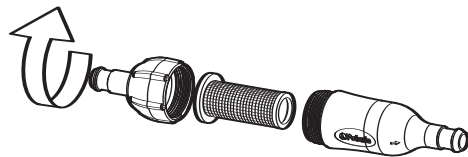
- Empty the bag when it is half full, especially if the dirt load is sand.
- It is easier to empty the bag when it is dry. Alternate between two bags.



### Cleaning the Filters

Always disconnect the Polaris before cleaning or backwashing the pool filter, and let the filtration system run for at least five minutes before reconnecting the cleaner.

To clean the in-line filter screen, pull it out of the filter assembly, rinse it and press it firmly back into place



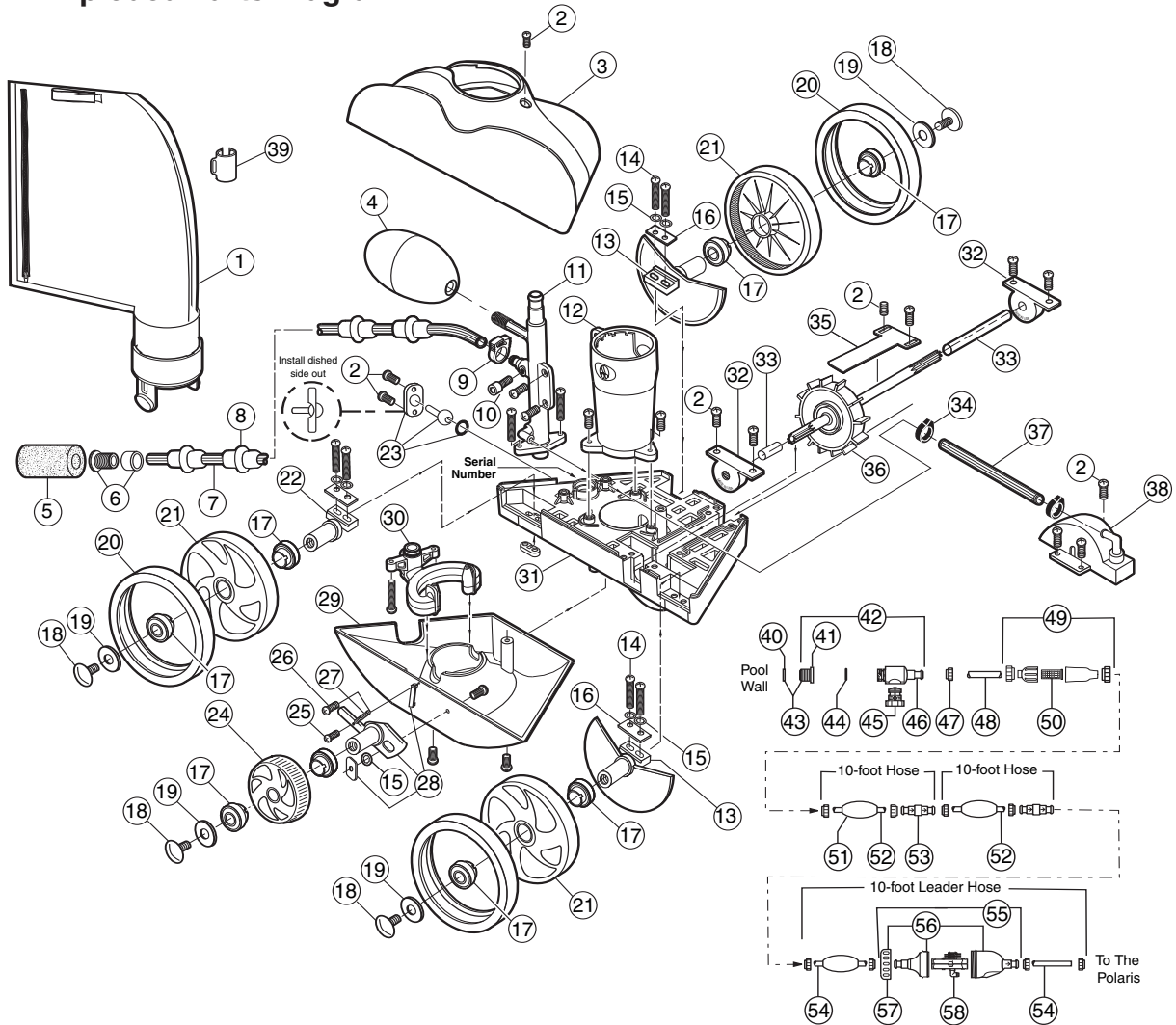
### Storage and Winterizing

Never store the Polaris in direct sunlight. When storing for the winter, drain out all the water (freeze damage is not covered under the warranty). Remove the UWF from the pool wall by attaching the Quick Disconnect and using pulling pressure to unscrew. If necessary, use the UWF Removal Tool (part #10-102-00) available from any authorized Polaris dealer.

# Polaris280

## Exploded Parts Diagram

English

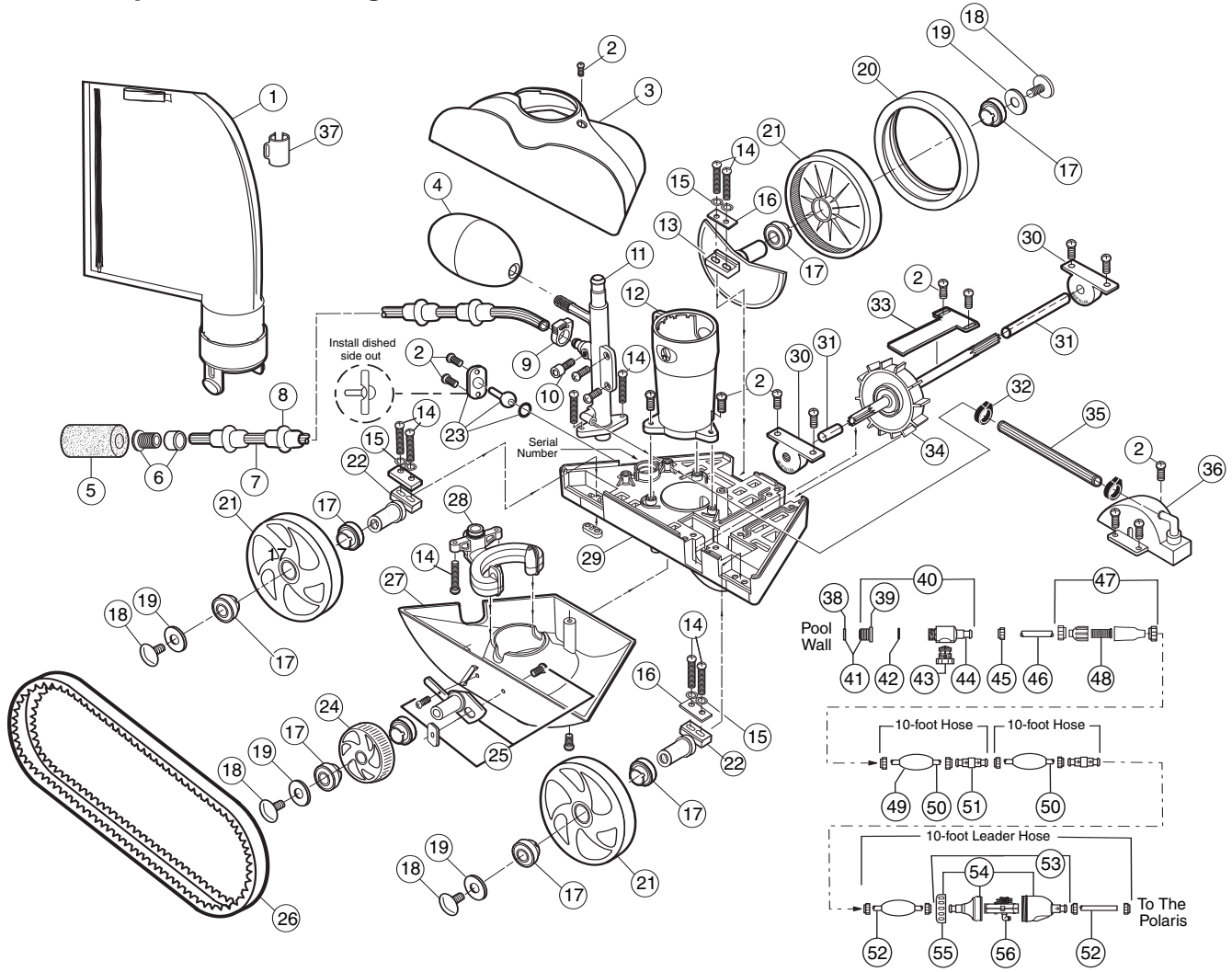


| No. | Part #     | Description                     | Qty | No. | Part #     | Description                      | Qty | No. | Part #     | Description                  | Qty |
|-----|------------|---------------------------------|-----|-----|------------|----------------------------------|-----|-----|------------|------------------------------|-----|
| 1   | K13        | All-Purpose Zippered Bag*       | 1   | 21  | C6         | Wheel, Large (No Bearings Incl.) | 3   | 41  | 6-500-00   | Universal Wall Fitting (UWF) | 1   |
| 2   | C40        | Screw, 10-32 x 3/8" SS Pan      | 20  | 22  | C65        | Axle, Large (Rear Wheel Only)    | 1   | 42  | 9-100-9001 | UWF Connector Assembly       | 1   |
| 3   | K5         | Top                             | 1   | 23  | C131       | Thrust Jet Kit                   | 1   | 43  | 10-108-00  | UWF Restrictor Kit           | 1   |
| 4   | A20        | Float, Head                     | 1   | 24  | C16        | Idle Wheel, Small                | 1   | 44  | 6-505-00   | O-Ring, UWF/QD               | 1   |
| 5   | 9-100-3105 | Sweep Hose Scrubber*            | 1   | 25  | C30        | Screw, 4-40 x 3/16" SS Pan       | 1   | 45  | 9-100-9002 | Pressure Relief Valve, Black | 1   |
| 6   | B25        | Orifice Tip w/Orifice Tip Guard | 1   | 26  | C32        | Screw, 6-32 x 1/2" SS Pan Head   | 1   | 46  | D29        | Quick Disconnect, UWF        | 1   |
| 7   | B5         | Sweep Hose Complete*            | 1   | 27  | C25        | Spring for C36                   | 1   | 47  | D15        | Nut, Feed Hose               | 10  |
| 8   | B10        | Wear Rings*                     | 8   | 28  | C36        | Swing Axle Kit                   | 1   | 48  | **         | Adapter Hose, 8-1/2"         | 1   |
| 9   | B15        | Sweep Hose Attach Clamp         | 1   | 29  | K10        | Base with Bracket                | 1   | 49  | 48-080     | In-Line Filter Assembly      | 1   |
| 10  | B20        | Adjust. Screw, Sweep Hose       | 1   | 30  | K25        | Water Management System          | 1   | 50  | 48-222     | Screen, In-Line Filter       | 1   |
| 11  | K30        | Feed Pipe with Elbow            | 1   | 31  | K145       | Frame                            | 1   | 51  | D10        | Float, Feed Hose             | 9   |
| 12  | K20        | Vacuum Tube                     | 1   | 32  | C80        | Ball Bearings, Turbine           | 2   | 52  | D45        | Feed Hose, 10 Ft             | 2   |
| 13  | C66        | Axle, Large (w/Sand/Gravel Grd) | 2   | 33  | C83        | Turbine Shaft Tubes              | 1   | 53  | D20        | Swivel, Ball Bearing         | 2   |
| 14  | C76        | Screw, 10-32 x 7/8" SS Pan      | 10  | 34  | 9-100-7170 | Hose Clamp for WMS               | 2   | 54  | D50        | Feed Hose, Leader, 10 Ft     | 1   |
| 15  | C45        | Lock Washer for C36             | 7   | 35  | A40        | Turbine Shaft Shield             | 1   | 55  | G52        | Back-up Valve Kit            | 1   |
| 16  | C70        | Axle Plate for C65/C66          | 3   | 36  | C86        | Drive Shaft Assembly             | 1   | 56  | G54        | Case Kit for G52             | 1   |
| 17  | C60        | Ball Bearings, Wheels           | 8   | 37  | C120       | Hose for C110, 7-1/2"            | 1   | 57  | G57        | Collar, Back-up Valve        | 1   |
| 18  | C55        | Wheel Screw, Plastic            | 4   | 38  | C110       | Turbine Cover with Elbow         | 1   | 58  | G53        | Mechanism for G52            | 1   |
| 19  | C64        | Wheel Washer, Plastic           | 4   | 39  | 9-100-1018 | Bag Collar                       | 1   |     |            |                              |     |
| 20  | C10        | Tire, MaxTrax**                 | 3   | 40  | 10-112-00  | Restrictor Disks, Red and Blue   | 2   |     |            |                              |     |

\*Wear items not covered by warranty.

# Polaris280TankTrax

## Exploded Parts Diagram



| No. | Part #     | Description                        | Qty | No. | Part #     | Description                      | Qty | No. | Part #     | Description                  | Qty |
|-----|------------|------------------------------------|-----|-----|------------|----------------------------------|-----|-----|------------|------------------------------|-----|
| 1   | K13        | All-Purpose Zippered Bag*          | 1   | 20  | C10        | Tire, MaxTrax**                  | 1   | 39  | 6-500-00   | Universal Wall Fitting (UWF) | 1   |
| 2   | C40        | Screw, 10-32 x 3/8" SS Pan         | 20  | 21  | C6         | Wheel, Large (No Bearings Incl.) | 3   | 40  | 9-100-9001 | UWF Connector Assembly       | 1   |
| 3   | K5         | Top                                | 1   | 22  | K26        | Axle Block -TankTrax             | 2   | 41  | 10-108-00  | UWF Restrictor Kit           | 1   |
| 4   | A20        | Float, Head                        | 1   | 23  | C131       | Thrust Jet Kit                   | 1   | 42  | 6-505-00   | O-Ring, UWF/QD               | 1   |
| 5   | 9-100-3105 | Sweep Hose Scrubber*               | 1   | 24  | K27        | Idle Wheel -TankTrax             | 1   | 43  | 9-100-9002 | Pressure Relief Valve, Black | 1   |
| 6   | B25        | Orifice Tip with Orifice Tip Guard | 1   | 25  | K28        | Swing Axle Kit -TankTrax         | 1   | 44  | D29        | Quick Disconnect, UWF        | 1   |
| 7   | B5         | Sweep Hose Complete*               | 1   | 26  | C18        | Tire, TankTrax**                 | 1   | 45  | D15        | Nut, Feed Hose               | 10  |
| 8   | B10        | Wear Rings*                        | 8   | 27  | K29        | Base - TankTrax                  | 1   | 46  | **         | Adapter Hose, 8-1/2"         | 1   |
| 9   | B15        | Sweep Hose Attach Clamp            | 1   | 28  | K25        | Water Management System          | 1   | 47  | 48-080     | In-Line Filter Assembly      | 1   |
| 10  | B20        | Adjustment Screw, Sweep Hose       | 1   | 29  | K145       | Frame                            | 1   | 48  | 48-222     | Screen, In-Line Filter       | 1   |
| 11  | K30        | Feed Pipe with Elbow               | 1   | 30  | C80        | Ball Bearings, Turbine           | 2   | 49  | D10        | Float, Feed Hose             | 9   |
| 12  | K20        | Vacuum Tube                        | 1   | 31  | C83        | Turbine Shaft Tubes              | 1   | 50  | D45        | Feed Hose, 10 Ft             | 2   |
| 13  | C66        | Axle, Large (w/Sand/Gravel Guard)  | 1   | 32  | 9-100-7170 | Hose Clamp for WMS               | 2   | 51  | D20        | Swivel, Ball Bearing         | 2   |
| 14  | C76        | Screw, 10-32 x 7/8" SS Pan         | 10  | 33  | A40        | Turbine Shaft Shield             | 1   | 52  | D50        | Feed Hose, Leader, 10 Ft     | 1   |
| 15  | C45        | Lock Washer for C36                | 7   | 34  | C86        | Drive Shaft Assembly             | 1   | 53  | G52        | Back-Up Valve Kit            | 1   |
| 16  | C70        | Axle Plate for C65/C66             | 3   | 35  | C120       | Hose for C110, 7-1/2"            | 1   | 54  | G54        | Case Kit for G52             | 1   |
| 17  | C60        | Ball Bearings, Wheels              | 8   | 36  | C110       | Turbine Cover with Elbow         | 1   | 55  | G57        | Collar, Back-Up Valve        | 1   |
| 18  | C55        | Wheel Screw, Plastic               | 4   | 37  | 9-100-1018 | Bag Collar                       | 1   | 56  | G53        | Mechanism for G52            | 1   |
| 19  | C64        | Wheel Washer, Plastic              | 4   | 38  | 10-112-00  | Restrictor Disks, Red and Blue   | 2   |     |            |                              |     |

\*Wear items not covered by warranty.



# Troubleshooting

If the Polaris cleaner displays the following actions, adjustments may be necessary to restore performance. Refer to exploded parts diagram for part references.

**Action: Hangs up on steps or other obstacles for longer than 3 minutes.**

- Solution:
1. Check the wheel RPM.
  2. Verify the back-up valve is cycling.
  3. Adjust the thrust jet.
  4. Remove unnecessary pool hardware or install a Ladder Guard Kit (order part #G21 from a Polaris dealer).

**Action: Polaris is sluggish, running with less power than normal.**

- Solution:
1. Check the filter screen in the in-line filter and clean, if necessary.
  2. Clean the skimmer basket, pump basket, and pool filter.
  3. Check all of the hoses, connections, and swivels for leaks that could cause loss of water pressure.
  4. Check the wheel RPM.

**Action: Polaris flies around the pool and/or does not make contact with the bottom.**

- Solution:
1. Confirm that the blue restrictor disk is installed in the UWF to decrease water flow. Or, install the red restrictor disk to decrease water flow even more.
  2. Check the wheel RPM. If more than 32 RPM, unscrew the pressure relief valve to decrease water flow to the cleaner. Note: The pressure relief valve should only be adjusted when a restrictor is installed.

3. Verify the back-up valve is cycling. Hold the valve out of the water and watch the jet. It should come on and go off.

**Action: Polaris does not back up.**

- Solution:
1. Verify the back-up valve is cycling.
  2. Check the wheel RPM.
  3. If the bag is full, empty it.
  4. If head float has water in it, replace it.
  5. Make sure feed hose is floating.

**Action: Polaris only turns in one direction.**

- Solution:
1. Adjust the thrust jet.
  2. Make sure feed hose is floating.

**Action: Feed hose becomes tangled.**

- Solution:
1. Remeasure the hose to verify that it is adjusted to the proper length for the pool shape.
  2. With the Polaris operating, check that the swivels in the hose and the hose connections turn freely.
  3. Make sure feed hose is floating.
  4. With the Polaris turned off, spin each of the wheels. All wheels should turn together.

**Action: Sweep hose is sucked into the vacuum tube.**

- Solution:
1. Make sure the opening at the end of the sweep hose is not blocked by the sweep hose scrubber.
  2. Adjust the sweep hose to a gentle sweeping motion.

**Action:** Sweep hose sprays too much water out of the pool.

- Solution:**
1. Adjust the speed of the sweep hose by tightening the adjustment screw.
  2. Replace the sweep hose scrubber if it is worn or missing.
  3. Add a sweep hose weight (order part #B2) to keep the sweep hose from spraying.

**Action:** The cleaner does not clean the entire pool.

- Solution:**
1. Check the hose length reaches within 6" of the farthest point of the pool. If not, order a new hose section from your Polaris dealer.
  2. Check thrust jet for straight back position that optimizes random turning.
  3. While the cleaner is operating, hold it upside down and look into the vacuum tube. There should be two distinct, even jets of water. If there are not, contact Customer Service or a Polaris authorized Service Center for assistance.

**Action:** The cleaner is running in circles on its side.

- Solution:**
1. Check filter bag, if full it can weigh the cleaner down on one side.
  2. Remove the head float and shake it. If there is water in the float, order a new one.
  3. Check the hose floats to make sure they are spaced evenly.

## Troubleshooting Worksheet

If these solutions do not result in improved performance, contact the Polaris dealer who sold you the cleaner or call Customer Service.

In order to provide faster and more convenient service, please have the following information available at the time of your call or when taking the Polaris in for service.

1. **Serial #:** \_\_\_\_\_
2. **Wheel RPM:** \_\_\_\_\_
3. **Is the back-up valve cycling?**  
 Yes       No
4. **Is the feed hose the proper length?**  
 Yes       No
5. **Are the swivels rotating freely?**  
 Yes       No
6. **How often do you clean the filter screen in the in-line filter?**  
 Never       Once a Week  
 Twice a Week       Once a Month
7. **Are the vacuum jets obstructed?**  
 (While the cleaner is operating, hold it upside down and look into the vacuum tube. There should be two distinct, even jets of water.)  
 Yes       No
8. **Is the drive train functioning?**  
 (As you spin each wheel independently, all the wheels should spin.)  
 Yes       No



## Informations importantes

- Avant d'installer le Polaris, s'assurer que le filtre de la piscine est propre.
- Rincer les nouvelles conduites avant d'installer le Polaris.
- Ne pas utiliser le Polaris pour enlever la poussière de plâtre dans les nouvelles piscines.
- Ne pas manipuler le Polaris pendant son fonctionnement, à moins que ce soit pour Vérifier la vitesse de rotation de la roue.
- Toujours enlever le Polaris avant qu'un nageur entre dans la piscine.
- Toujours déconnecter le Polaris de la paroi de la piscine avant de procéder au nettoyage ou au lavage à contre-courant du filtre.
- Toujours enlever le Polaris de la piscine avant de procéder à un traitement chimique de choc.
- Après le nettoyage ou le lavage à contre-courant, laisser le système de filtrage en marche pendant au moins cinq minutes avant de reconnecter le Polaris.

### Service clientèle ou assistance technique :

- Immédiatement retourner la carte de garantie.
- Assistance technique en ligne : [www.polarispool.com](http://www.polarispool.com)

- Pour contacter Polaris : **US and Canada**  
Customer Service  
2620 Commerce Way  
Vista, CA 92081-8438  
1-800-822-7933

### Polaris Vac-Sweep® 280 Garantie

Vous avez choisi la marque Polaris Vac-Sweep 280 et nous vous remercions de votre confiance. Ce produit a été conçu, fabriqué et contrôlé avec le plus grand soin afin qu'il vous donne entière satisfaction.

La durée de la garantie est fixée à 2 ans à partir de la date de facturation au premier utilisateur.

#### AVERTISSEMENT CONCERNANT L'UTILISATION DU POLARIS 280 DANS UNE PISCINE A REVETEMENT VINYLE

La surface de certains revêtements vinyle à motifs peut s'user rapidement et les motifs peuvent disparaître au contact d'objets tels que brosses de nettoyage, jouets, bouées, fontaines, distributeurs de chlore et nettoyeur de piscine automatique. Les motifs de certains revêtements vinyle peuvent être égratignés ou usés par simple frottement, tel qu'avec une brosse de piscine. La couleur de certains motifs peut également s'effacer pendant l'installation ou en cas de contact avec des objets présents dans la piscine. Les motifs effacés, l'usure ou l'égratignure des revêtements vinyle ne relèvent pas de la responsabilité de Zodiac et ne sont pas couverts par la garantie limitée.

# Introduction

Félicitations pour l'achat du nouveau nettoyeur de piscine automatique et nos remerciements d'avoir choisi un produit Polaris. Grâce à sa conception et sa fiabilité, le Polaris Vac-Sweep 280 fonctionnera sans problèmes pendant de nombreuses années.

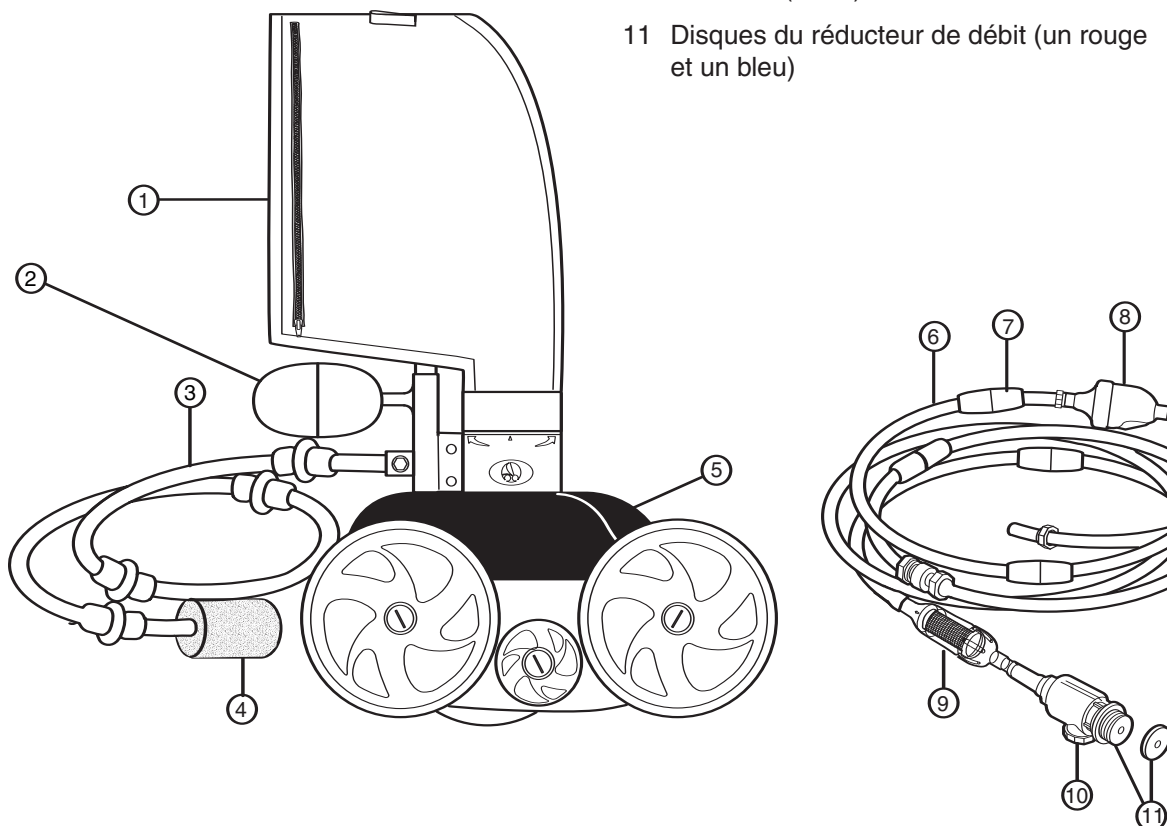
Comme la plupart des dispositifs mécaniques, le Polaris doit être ajusté périodiquement, entretenu avec régularité et équipé de nouvelles pièces après une utilisation prolongée. Faire vérifier occasionnellement l'appareil par le distributeur local ou le centre de service Polaris.

N'utiliser que des pièces de rechange Polaris d'origine. Les pièces qui n'ont pas été fabriquées par Polaris ne satisfont pas à nos spécifications. Elles peuvent entraver le fonctionnement du Polaris, voire l'endommager.

Faire installer le Polaris 280 par un professionnel pour obtenir les meilleurs résultats. Les explications concernant l'installation sont fournies dans le présent manuel pour les personnes dotées d'expérience et habituées à manipuler les équipements mécaniques et les matériels et matériaux de plomberie.

## Polaris 280 complets

1. Sac tout usage à glissière
2. Flotteur de tête
3. Tuyau de balayage
4. Brosse de nettoyage du tuyau de balayage
5. Corps du nettoyeur
6. Tuyau d'arrivée
7. Flotteurs de tuyau
8. Soupape de secours
9. Ensemble de filtre en ligne
10. Connexion rapide avec raccord mural universel (UWF)
11. Disques du réducteur de débit (un rouge et un bleu)



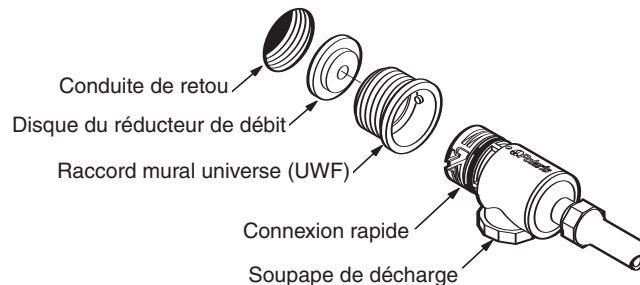
# Instructions d'installation rapide

## 1

### Installation du raccord mural universel (UWF)

L'installation ne prendra que quelques minutes si la piscine est équipée d'une ligne de retour dédiée et d'un raccord de tuyau femelle de 1-1/2 pouces (3,8 cm).

1. Mettre la pompe de filtrage en marche et rincer les conduites. Arrêter la pompe.
2. Séparer le raccord mural universel (UWF) du raccord de connexion rapide, puis visser l'UWF avec le disque bleu du réducteur de débit sur l'ouverture de la ligne de retour.
3. Introduire la connexion rapide dans le raccord mural universel (UWF) en tournant dans le sens des aiguilles d'une montre, puis tirer pour verrouiller.



## 2

### Adaptation de la longueur du tuyau d'arrivée aux dimensions de la piscine

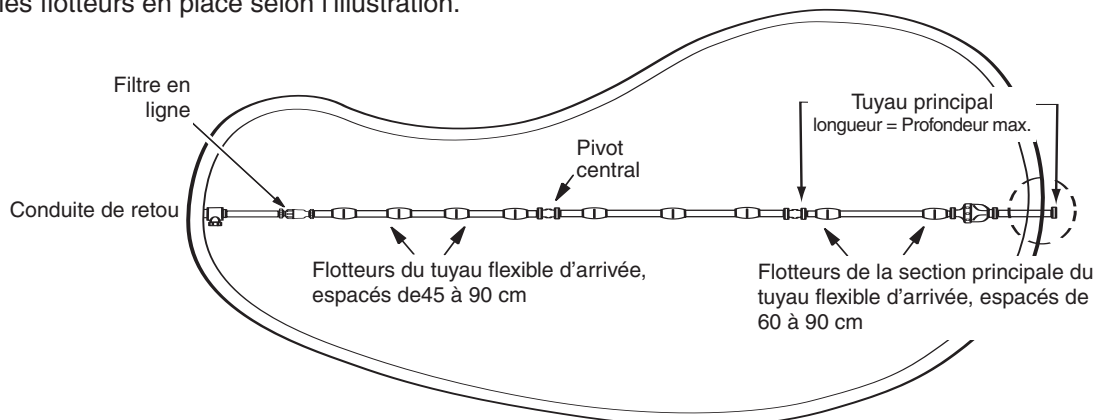
Mesurer l'endroit de la piscine où la profondeur est la plus grande. Couper le tuyau principal, côté raccordement au tuyau d'arrivée, de manière à ce que sa longueur soit égale à la plus grande profondeur de la piscine.

Raccorder le tuyau flexible principal au tuyau d'arrivée et connecter le tuyau flexible à la prise balai de la piscine, sur la conduite de retour. Tirer sur le tuyau pour qu'il atteigne le point le plus éloigné de la piscine. L'extrémité du tuyau doit se trouver à plus ou moins 15 centimètres de ce point le plus éloigné. Voir le cercle en pointillés.

**Le tuyau est-il trop long ?** Détacher le tuyau au pivot central. Couper d'égales longueurs du surplus de chacune des sections de tuyau de 3 mètres de long.

**Le tuyau est-il trop court ?** Acheter une section de tuyau supplémentaire (n° de pièce 9-100-3104), un pivot (n° de pièce D20) et deux raccords de fixation de tuyau (n° de pièce D15) chez un revendeur agréé par Polaris.

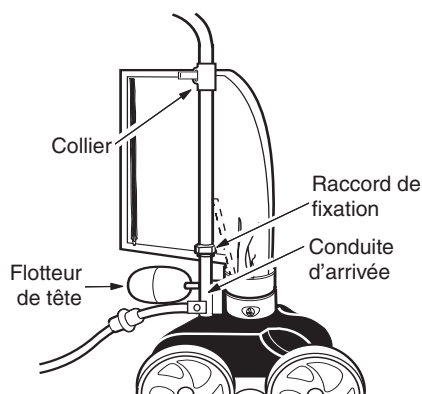
Après avoir ajusté la longueur du tuyau flexible, mettre les flotteurs en place selon l'illustration.



# 3

## Assemblage du nettoyeur

1. Fixer le tuyau flexible d'arrivée à la conduite d'alimentation à l'aide de la bague de fixation.
2. Tirer le sac pour le sortir et attacher son collier de retenue sur le tuyau flexible d'arrivée.
3. Placer le flotteur de tête en arrière et à une distance de 1,3 à 2,5 cm de la conduite d'alimentation.
4. Mettre la pompe de filtration de la piscine en marche et la laisser s'amorcer avant de mettre la pompe de surcompression en marche.

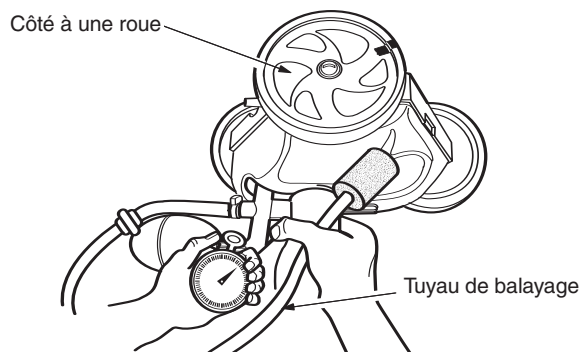


# 4

## Contrôle de la vitesse de rotation de la roue

Avant de mettre le Polaris en marche, Vérifier la vitesse de rotation de la roue (t/min). Pour obtenir un rendement maximum, le Polaris doit tourner à une vitesse comprise entre 28 et 32 t/min.

1. Marquer la bande de roue à une face.
2. Mettre la pompe en marche, immerger le nettoyeur et compter le nombre de révolutions effectuées par la roue en 1 minute.



Si elle est **inférieure à 28 t/min** :

- Vérifier qu'aucun débris ne bouche la crépine du filtre en ligne ni n'étrangle le débit d'eau.
- Nettoyer le skimmer, le filtre et le panier de la pompe.
- Vérifier si les tuyaux, raccords et joints à rotule ont des fuites.
- Retirer le disque bleu du réducteur de débit de l'UWF.
- Si une vanne à passage direct réglable est installée sur la pompe de surcompression ou dans la ligne du nettoyeur, l'ouvrir complètement pour que l'eau puisse s'écouler librement vers le Polaris.

Si la vitesse est **supérieure à 32 tr/min** :

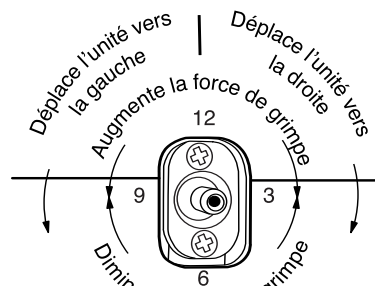
- Remplacer le disque bleu réducteur de débit de l'UWF par le réducteur rouge. Si le débit est trop élevé, dévisser la soupape de surpression jusqu'à obtention du régime moteur approprié. Remarque : La soupape de surpression doit être réglée uniquement si un réducteur de débit est installé.
- Si une soupape réglable est installée sur la pompe de surpression, il faut la régler en réduisant le débit d'eau vers le nettoyeur.

## Réglage fin du nettoyeur Polaris

Lorsque le nettoyeur Polaris fonctionne correctement, il aspire, nettoie et récuré toutes les surfaces de la piscine en effectuant un parcours aléatoire. Il se met en mode marche arrière toutes les 3 minutes. Cela lui permet de s'éloigner des obstacles.

### Réglage de la buse de propulsion

La buse propulse le Polaris dans une certaine direction. La direction est réglée en usine au droit du plan de base de la buse mais, selon la piscine, d'autres positions peuvent être mieux adaptées



### Réglage du tuyau de balayage

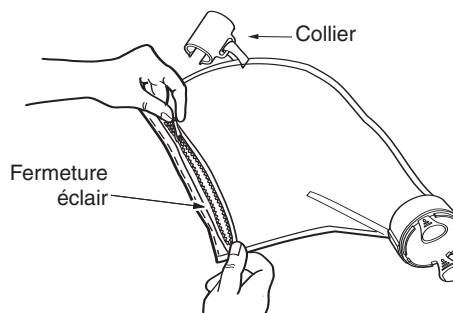
Le tuyau de balayage doit se déplacer doucement. Pour régler, arrêter la pompe de surpression et tourner la vis de réglage du tuyau de balayage. Tourner dans le sens des aiguilles d'une montre pour diminuer le mouvement.

## Entretien normal

### Nettoyage du sac de filtre

Enlever le collier du sac du tuyau flexible d'arrivée. Tourner le connecteur du sac jusqu'à ce qu'il se dégage du tuyau d'alimentation avec un déclic audible. Tirer le sac pour le sortir, ouvrir la fermeture et jeter les débris. Pour réinstaller le sac, aligner les repères entre connecteur et tuyau d'alimentation. Positionner le connecteur en le faisant cliquer sur le tuyau et rattacher la bague du sac sur le tuyau flexible

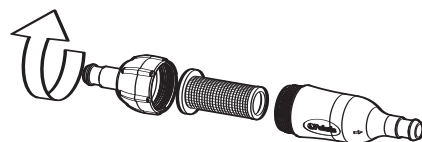
- Vider le sac lorsqu'il est à moitié plein, surtout s'il est rempli de sable
- Il est facile de vider le sac lorsqu'il est sec. Alternier entre deux sacs.



### Nettoyage de filtre

Veiller à toujours débrancher le Polaris avant de nettoyer ou de laver à contre-courant le filtre de la piscine, et à laisser le système de filtration fonctionner pendant au moins cinq minutes avant de rebrancher le nettoyeur.

Pour nettoyer le filtre d'écran en ligne, le retirer de l'ensemble du filtre, le rincer puis le remettre en place en appuyant fermement.



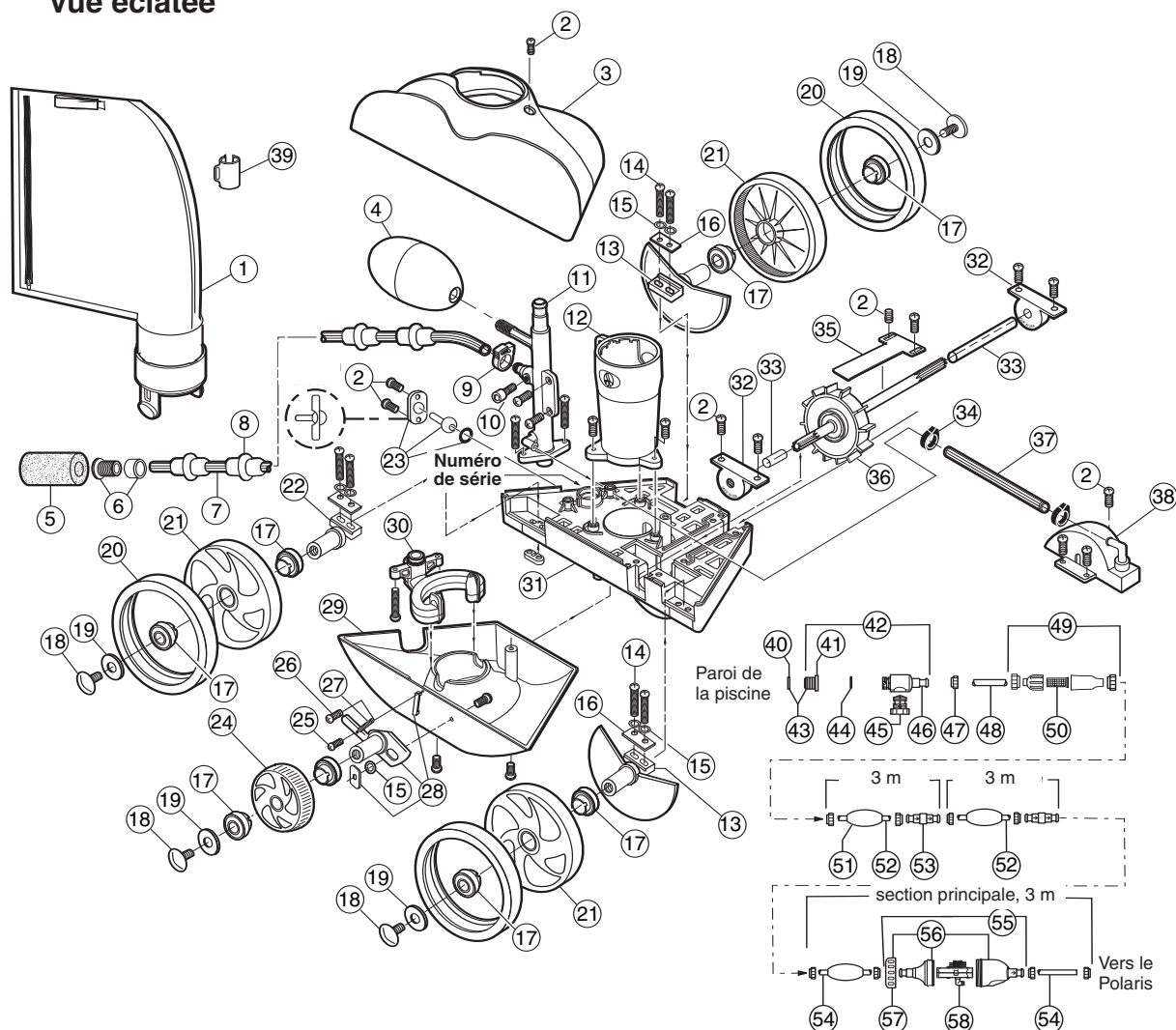
### Entreposage préparation à l'hivernage

Ne jamais entreposer le Polaris dans un endroit où il serait exposé aux rayons directs du soleil. Pour le ranger pendant l'hiver, vider toute l'eau (les dégâts provoqués par le gel ne sont pas couverts par la garantie). Enlever le raccord universel de la paroi de la piscine en y fixant la connexion rapide et tourner tout en tirant. Si nécessaire, utiliser l'outil de retrait du raccordement mural universel (pièce no. 10-102-00) disponible auprès d'un concessionnaire agréé Polaris.



# Polaris280

Vue éclatée



Français

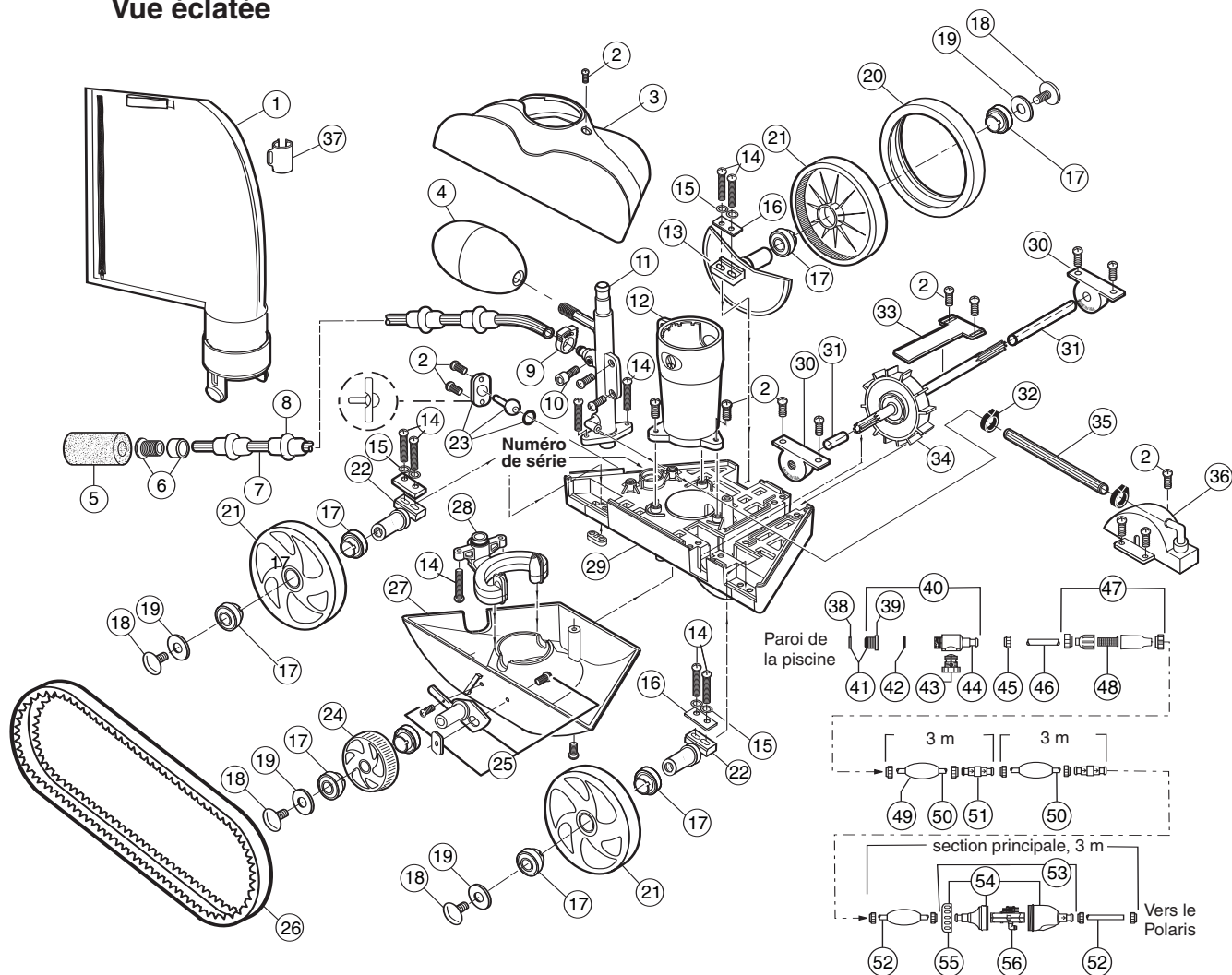
| N° | N° de pièce | Description   | Qté | N° | N° de pièce | Description   | Qté | N° | N° de pièce | Description   | Qté |
|----|-------------|---|-----|----|-------------|---|-----|----|-------------|---|-----|
| 1  | K13         | Sac tout usage à glissière*                             | 1   | 20 | C10         | Pneu, MaxTrax®*   | 3   | 39 | 9-100-1018  | Collier de serrage du sac                             | 1   |
| 2  | C40         | Vis, 10-32 x 3/8"                                       | 20  | 21 | C6          | Roue, grande (aucun roulement n'est inclus)                   | 3   | 40 | 10-112-00   | Disques du réducteur de débit de l'UWF, rouge et bleu | 2   |
| 3  | K5          | Haut  | 1   | 22 | C65         | Essieu, grand (roue arrière seulement)                        | 1   | 41 | 6-500-00    | Raccord Mural Universel (UWF)                         | 1   |
| 4  | A20         | Flotteur, tête  | 1   | 23 | C131        | Kit de buse de propulsion                                     | 1   | 42 | 9-100-9001  | Ensemble de connecteur UWF                            | 1   |
| 5  | 9-100-3105  | Brosse de nettoyage du tuyau de balayage*               | 1   | 24 | C16         | IRoue libre, petite   | 1   | 43 | 10-108-00   | Kit du réducteur de débit de l'UWF                    | 1   |
| 6  | B25         | Embout perforé avec fourrure de protection              | 1   | 25 | C30         | Vis, 4-40 x 3/16"   | 1   | 44 | 6-505-00    | Joint torique, UWF/QD                                 | 1   |
| 7  | B5          | Tuyau de balayage complet*                              | 1   | 26 | C32         | Vis, 6-32 x 1/2"  | 1   | 45 | 9-100-9002  | Soupape de décharge, noir                             | 1   |
| 8  | B10         | Bagues d'usure*   | 8   | 27 | C25         | Ressort pour C36  | 1   | 46 | D29         | Connexion rapide, UWF                                 | 1   |
| 9  | B15         | Bague de fixation du tuyau de balayage                  | 1   | 28 | C36         | Kit d'essieu oscillant  | 1   | 47 | D15         | Écrou, tuyau flexible d'arrivée                       | 10  |
| 10 | B20         | Vis de réglage, tuyau de balayage                       | 1   | 29 | K10         | Base avec patte de fixation                                   | 1   | 48 | **          | Flexible d'adaptateur, 21,6 cm                        | 1   |
| 11 | K30         | Conduite d'alimentation avec coude                      | 1   | 30 | K25         | Système de distribution d'eau (WMS)                           | 1   | 49 | 48-080      | Ensemble de filtre en ligne                           | 1   |
| 12 | K20         | Tube sous vide  | 1   | 31 | K145        | Châssis   | 1   | 50 | 48-222      | Crépine, filtre en ligne                              | 1   |
| 13 | C66         | Essieu, grand (avec protection contre le sable/gravier) | 2   | 32 | C80         | oulements à billes, turbine                                   | 2   | 51 | D10         | Flotteur, tuyau flexible d'arrivée                    | 9   |
| 14 | C76         | Vis, 10-32 x 7/8"                                       | 10  | 33 | C83         | Tubes d'arbre de turbine                                      | 1   | 52 | D45         | Tuyau flexible d'arrivée, 3 m                         | 2   |
| 15 | C45         | Rondelle frein pour C36                                 | 7   | 34 | 9-100-7170  | Bague de serrage pour tuyaux du système de distribution d'eau | 2   | 53 | D20         | Pivot, Roulement à billes                             | 2   |
| 16 | C70         | Plaque d'essieu pour C65/C66                            | 3   | 35 | A40         | Écran d'arbre de turbine                                      | 1   | 54 | D50         | Tuyau flexible d'arrivée, section principale, 3 m     | 1   |
| 17 | C60         | Roulements à bille, roues                               | 8   | 36 | C86         | Ensemble d'arbre moteur                                       | 1   | 55 | G52         | Kit de la soupape de secours                          | 1   |
| 18 | C55         | Vis de roue, plastique                                  | 4   | 37 | C120        | Flexible pour C110, 19 cm                                     | 1   | 56 | G54         | Kit de boîtier pour G52                               | 1   |
| 19 | C64         | Rondelle de roue, plastique                             | 4   | 38 | C110        | Capot de turbine avec coude                                   | 1   | 57 | G57         | Collier, soupape de secours                           | 1   |
|    |             |   |     |    |             |   |     | 58 | G53         | Mécanisme pour G52                                    | 1   |

\* Les pièces consommables ne sont pas couvertes par la garantie.

# Polaris280TankTrax

Vue éclatée

Français



| N° | N° de pièce | Description   | Qté | N° | N° de pièce | Description   | Qté | N° | N° de pièce | Description   | Qté |
|----|-------------|---|-----|----|-------------|---|-----|----|-------------|---|-----|
| 1  | K13         | Sac tout usage à glissière*                             | 1   | 20 | C10         | Pneu, MaxTrax®  | 1   | 38 | 10-112-00   | Disques du réducteur de débit de l'UWF, rouge et bleu | 1   |
| 2  | C40         | Vis, 10-32 x 3/8"                                       | 20  | 21 | C6          | Roue, grande (aucun roulement n'est inclus)                   | 3   | 39 | 6-500-00    | Raccord Murai Universel (UWF)                         | 1   |
| 3  | K5          | Haut  | 1   | 22 | K26         | Essieu, TankTrax®   | 2   | 40 | 9-100-9001  | Ensemble de connecteur UWF                            | 1   |
| 4  | A20         | Flotteur, tête  | 1   | 23 | C131        | Kit de buse de propulsion                                     | 1   | 41 | 10-108-00   | Kit du réducteur de débit de l'UWF                    | 1   |
| 5  | 9-100-3105  | Brosse de nettoyage du tuyau de balayage*               | 1   | 24 | K27         | IRoue libre - TankTrax®                                       | 1   | 42 | 6-505-00    | Joint torique, UWF/QD                                 | 1   |
| 6  | B25         | Embout perforé avec fourrure de protection              | 1   | 25 | K28         | Kit d'essieu oscillant-TankTrax®                              | 1   | 43 | 9-100-9002  | Soupape de décharge, noir                             | 1   |
| 7  | B5          | Tuyau de balayage complet*                              | 1   | 26 | C18         | Pneu, TankTrax®   | 1   | 44 | D29         | Connexion rapide, UWF                                 | 1   |
| 8  | B10         | Bagues d'usure*   | 8   | 27 | K29         | Base avec patte de fixation - TankTrax®                       | 1   | 45 | D15         | Écrou, tuyau flexible d'arrivée                       | 10  |
| 9  | B15         | Bague de fixation du tuyau de balayage                  | 1   | 28 | K25         | Système de distribution d'eau (WMS)                           | 1   | 46 | **          | Flexible d'adaptateur, 21,6 cm                        | 1   |
| 10 | B20         | Vis de réglage, tuyau de balayage                       | 1   | 29 | K145        | Châssis   | 1   | 47 | 48-080      | Ensemble de filtre en ligne                           | 1   |
| 11 | K30         | Conduite d'alimentation avec coude                      | 1   | 30 | C80         | roulements à billes, turbine                                  | 2   | 48 | 48-222      | Crépine, filtre en ligne                              | 1   |
| 12 | K20         | Tube sous vide  | 1   | 31 | C83         | Tubes d'arbre de turbine                                      | 1   | 49 | D10         | Flotteur, tuyau flexible d'arrivée                    | 9   |
| 13 | C66         | Essieu, grand (avec protection contre le sable/gravier) | 1   | 32 | 9-100-7170  | Bague de serrage pour tuyaux du système de distribution d'eau | 2   | 50 | D45         | Tuyau flexible d'arrivée, 3 m                         | 2   |
| 14 | C76         | Vis, 10-32 x 7/8"                                       | 10  | 33 | A40         | Écran d'arbre de turbine                                      | 1   | 51 | D20         | Pivot, Roulement à billes                             | 2   |
| 15 | C45         | Rondelle frein pour C36                                 | 7   | 34 | C86         | Ensemble d'arbre moteur                                       | 1   | 52 | D50         | Tuyau flexible d'arrivée, section principale, 3 m     | 1   |
| 16 | C70         | Plaque d'essieu pour C65/C66                            | 3   | 35 | C120        | Flexible pour C110, 19 cm                                     | 1   | 53 | G52         | Kit de la soupape de secours                          | 1   |
| 17 | C60         | Roulements à bille, roues                               | 8   | 36 | C110        | Capot de turbine avec coude                                   | 1   | 54 | G54         | Kit de boîtier pour G52                               | 1   |
| 18 | C55         | Vis de roue, plastique                                  | 4   | 37 | 9-100-1018  | Collier de serrage du sac                                     | 1   | 55 | G57         | Collier, soupape de secours                           | 1   |
| 19 | C64         | Rondelle de roue, plastique                             | 4   |    |             |   |     | 56 | G53         | Mécanisme pour G52                                    | 1   |

\* Les pièces consommables ne sont pas couvertes par la garantie.

# Dépannage

Si le nettoyeur Polaris présente souvent l'un des comportements suivants, un réglage est sans doute nécessaire pour obtenir un fonctionnement correct. Veuillez consulter la vue éclatée des pièces pour trouver les références des pièces.

**Action : S'accroche aux marches et autres obstacles pendant plus de 3 minutes.**

- Solution :
1. Vérifier la vitesse de rotation de la roue du Polaris.
  2. Vérifier le cycle de la soupape de secours.
  3. Ajuster la buse de propulsion.
  4. Enlever tout matériel inutile de la piscine ou installer un kit de protection d'échelle (commander la pièce n°. G21 auprès d'un distributeur Polaris).

**Action : Le Polaris se déplace avec extrême lenteur et fonctionne avec une puissance inférieure à la normale.**

- Solution :
1. Vérifier la crépine dans l'ensemble de filtre en ligne et la nettoyer, le cas échéant.
  2. Nettoyer le panier du skimmer, le panier de la pompe et le filtre de la piscine.
  3. Vérifier si les tuyaux, connexions et rotules ont des fuites. Cela expliquerait la baisse de pression d'eau.
  4. Vérifier la vitesse de rotation de la roue du Polaris.

**Action : Le Polaris vole autour de la piscine et/ou ne fait pas contact avec le fond.**

- Solution :
1. Confirmer que le disque bleu du réducteur de débit est installé dans l'UWF pour diminuer le débit d'eau. Ou bien, installer le disque rouge du réducteur pour diminuer le débit d'eau encore plus.
  2. Vérifier la vitesse de rotation de la roue du Polaris. Si elle est supérieure à 32 t/min, dévisser la soupape de décharge pour diminuer le débit d'eau du nettoyeur. Remarque : La soupape de surpression doit être réglée uniquement si un réducteur de débit est installé.
  3. Vérifier le cycle de la soupape de secours. Sortir la soupape de l'eau et observer le jet. Il doit pulser.

**Action : Le Polaris ne recule pas.**

- Solution :
1. Vérifier le cycle de la soupape de secours.
  2. Vérifier la vitesse de rotation de la roue du Polaris.
  3. Vider le sac s'il est plein.
  4. Si le flotteur de tête contient de l'eau, le remplacer.
  5. S'assurer que le tuyau d'arrivée flotte.

**Action : Le Polaris ne tourne que dans un seul sens.**

- Solution :
1. Ajuster la buse de propulsion.
  2. S'assurer que le tuyau d'arrivée flotte.

**Action : Le tuyau d'arrivée forme des nœuds.**

- Solution :
1. Remesurer la longueur du tuyau et vérifier qu'elle correspond à celle requise par la forme de la piscine.
  2. Lorsque le Polaris fonctionne, vérifier que les joints à rotule et les connexions des tuyaux tournent librement.
  3. S'assurer que le tuyau d'arrivée flotte.
  4. Lorsque le Polaris est arrêté, actionner chacune des roues. Toutes les roues doivent tourner en même temps.

**Action : Le tuyau de balayage a été aspiré dans le tuyau aspirant.**

- Solution :
1. S'assurer que l'ouverture à l'extrémité du tuyau de balayage n'est pas bloquée par la brosse de nettoyage du tuyau de balayage.
  2. Ajuster le tuyau de balayage pour obtenir un déplacement régulier.

**Action : Le tuyau de balayage asperge sans cesse le pourtour de la piscine.**

- Solution :
1. Régler la vitesse du tuyau de balayage en serrant la vis de réglage.
  2. Remplacer la brosse de nettoyage du tuyau de balayage si elle est usée ou installer une brosse s'il n'y en a pas.
  3. Ajouter des lests au tuyau de balayage (commander la pièce no. B2) pour éviter qu'il asperge les environs de la piscine.

**Action : Le nettoyeur ne nettoie pas toute la piscine.**

- Solution :
1. Vérifier que le tuyau atteint le point le plus éloigné de la piscine à plus ou moins 15 cm près.
  2. Vérifier que la buse de propulsion est orientée au droit du plan de base pour optimiser le déplacement aléatoire.
  3. Pendant que le nettoyeur fonctionne, le tenir à l'envers et regarder à l'intérieur du tube de mise sous vide. On doit observer deux jets d'eau distincts ayant le même débit d'eau. En leur absence, contacter le Service de la clientèle ou un centre de service agréé par Polaris pour obtenir de l'aide.

**Action : Le nettoyeur tourne en rond, couché sur le côté.**

- Solution :
1. Si le sac de filtration est plein, son poids peut faire basculer le nettoyeur sur le côté.
  2. Enlever le flotteur de tête et le secouer. S'il contient de l'eau, en commander un autre pour le remplacer.
  3. Vérifier les flotteurs du tuyau flexible pour s'assurer qu'ils sont régulièrement espacés.



## Wichtige Informationen

- Stellen Sie vor der Installation des Polaris sicher, dass der Poolfilter sauber ist.
- Neu installierte Rohrleitungen sollen vor Installation des Polaris sauber durchgespült werden.
- Der Polaris soll nicht zur Entfernung von Mauerputzstaub bei neuen Pools verwendet werden.
- Den Polaris nicht bedienen während er läuft, mit der Ausnahme, wenn man die Umdrehungszahl (Umdrehungen pro Minute) der Räder prüft.
- Den Polaris vom Pool entfernen, wenn sich Badende im Pool befinden.
- Den Polaris immer von der Poolwand entfernen, wenn der Poolfilter gereinigt oder rückgespült wird.
- Vor Hinzufügung von Chemikalien, den Polaris immer vom Pool entfernen.
- Nach dem reinigen oder rückspülen das Filtersystem mindestens fünf Minuten laufen lassen, bevor man den Polaris anschließt.

### Kundendienst:

- Garantiekarte bitte sofort einsenden.
- Für Online Unterstützung: [www.polarispool.com](http://www.polarispool.com)
- So können Sie Polaris finden: **US and Canada**  
Customer Service  
2620 Commerce Way  
Vista, CA 92081-8438  
1-800-822-7933

### Polaris Vac-Sweep® 280 Garantie

Sie haben sich für die Marke Polaris Vac-Sweep 280 entschieden, und wir danken Ihnen für Ihr Vertrauen. Dieses Produkt wurde mit größter Sorgfalt entwickelt, hergestellt und geprüft, damit es zu Ihrer vollen Zufriedenheit funktioniert.

Die Garantiezeit ist auf 2 Jahre ab Rechnungsdatum des Ersterwerbs festgelegt.

#### WARNHINWEIS: ANWENDUNG DES POLARIS 280 IN EINEM POOL MIT VINYLEINSATZ

Bestimmte Muster des Vinyleinsatzes sind ganz besonders auf schnelle Oberflächenabnutzung oder Abnutzung des Musters durch Gegenstände, die mit der Vinyloberfläche in Berührung kommen, einschließlich der Poolbürste, Poolspielsachen, Schwimmkörper, Springbrunnen, Chlorverteiler und automatischem Poolreiniger, anfällig. Manche Muster können durch Bürsten der Oberfläche stark verkratzt oder abgeschürft werden. Es kann auch vorkommen, dass sich während der Installation die Farbe des Musters abreibt, wenn der Vinyleinsatz mit Gegenständen im Pool in Kontakt kommt. Zodiac, so wie die eingeschränkte Haftung von Zodiac, haften nicht für Abreibungen des Musters, so wie Abschürfungen oder Markierungen am Vinyleinsatz.

# Einleitung

Es freut uns, dass Sie sich zum Kauf des neuen, automatischen Poolreinigers entschlossen haben und wir bedanken uns, dass Sie Polaris gewählt haben. Der Polaris Vac-Sweep 280 wurde so entworfen, dass er Ihnen jahrelangen, zuverlässigen Service bietet.

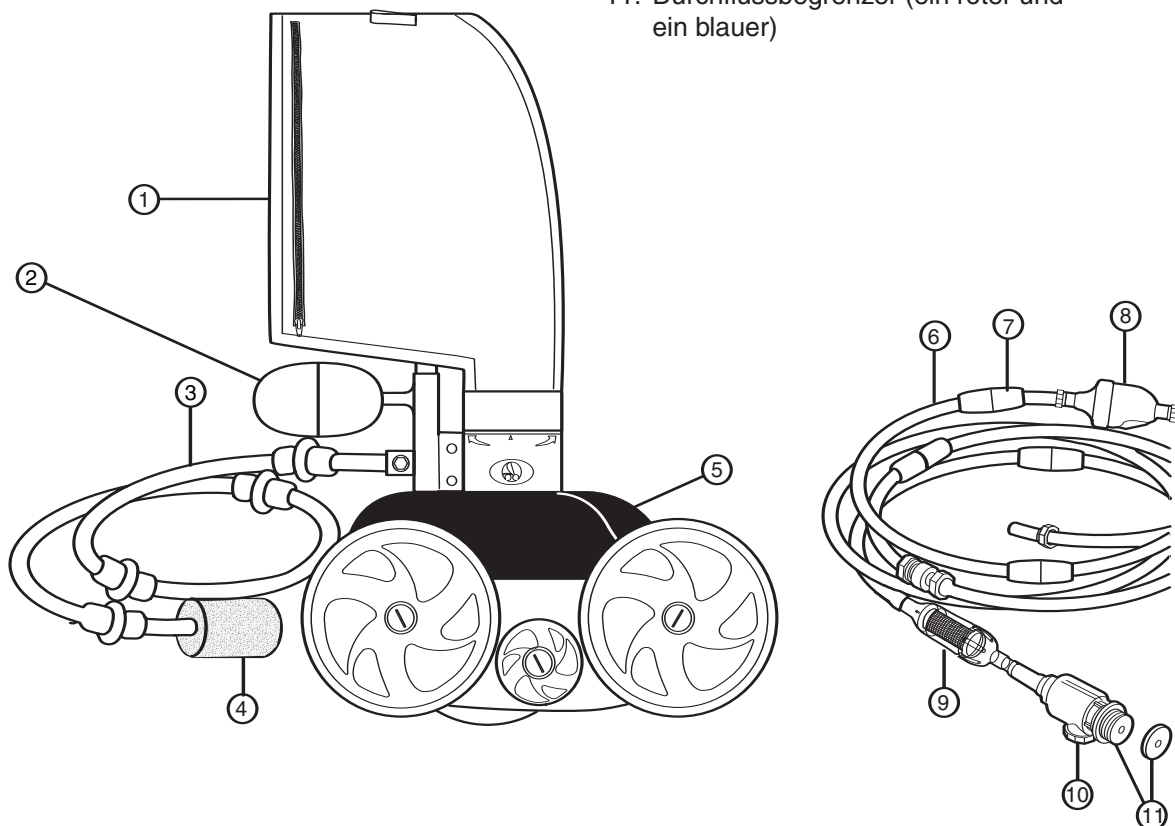
Wie die meisten mechanischen Geräte, so muss auch der Polaris periodisch nachgestellt und routinemäßige Wartungsarbeiten, mit eventuellem Ersetzen bestimmter Stressteile, durchgeführt werden. Stellen Sie sicher, dass Sie Ihren Polaris ab und zu von Ihrem örtlichen Polaris Händler oder von einem berechtigten Service Center warten lassen.

Bestehen Sie immer auf Originalersatzteile von Polaris. Ersatzteile die nicht von Polaris stammen entsprechen nicht unseren Vorschriften. Es kann sein, dass sich diese Teile negativ auf die Funktion Ihres Polaris auswirken oder diesen sogar beschädigen.

Der Polaris 280 sollte am besten von einem Poolfachmann installiert werden. Für Personen die Erfahrung mit dem Umgang von Rohrleitungen und mechanischen Geräten haben, ist die Installation in diesem Handbuch aufgeführt.

## Polaris 280 kompletter Reiniger

1. Allzweckbeutel mit Reißverschluss
2. Schwimmkopf
3. Sweep-Schlauch
4. Sweep-Schlauchbürste
5. Reiniger
6. Zufuhrschlauch
7. Schlauchschwimmkörper
8. Rücklaufventil
9. Rohrleitungsfiter-Baugruppe
10. Quick Trenner mit universaler Wandhalterung
11. Durchflussbegrenzer (ein roter und ein blauer)

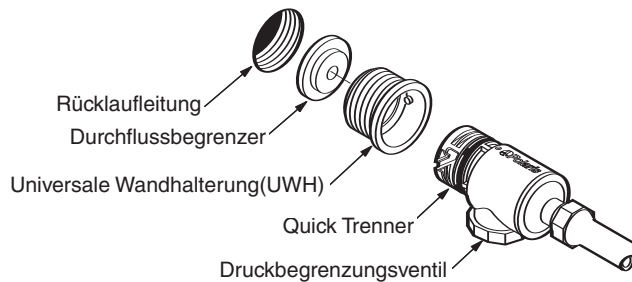


# Quick Installationsanleitung

## 1 Installation der universalen Wandhalterung

Wird in Minuten mit einer dafür vorgesehenen Reinigungsrücklaufleitung und einer mit einem 1-1/2 Zoll (3,81 cm) Innengewinde versehenem Rohranschlussstück installiert.

1. Die Filterpumpe einschalten und die Rohrleitungen durchspülen. Pumpe ausschalten.
2. Die UWH von dem Quick Trenner entfernen und die UWH mit dem blauen Durchflussbegrenzer in die Rücklauföffnung schrauben.
3. Den Quick Trenner im Uhrzeigersinn in den UWH drehen und festziehen um diesen zu sichern.



## 2 Zufuhrschlauch passend zur Länge des Pools einstellen

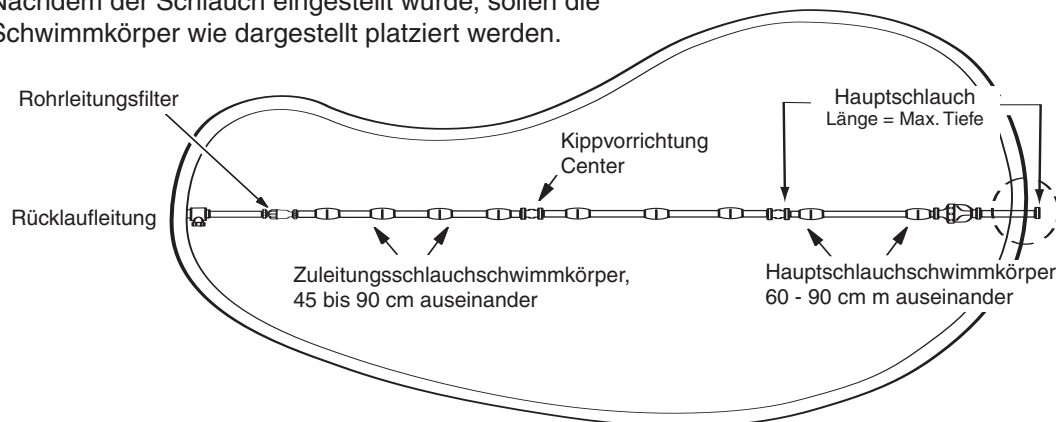
Messen Sie das tiefste Ende des Pools. Schneiden Sie den Hauptschlauch von dem Ende ab, das an den Zuleitungsschlauch befestigt ist, damit die Länge dem tiefsten Ende des Pools gleich ist.

Befestigen Sie den Hauptschlauch an den Zuleitungsschlauch und schließen Sie den Schlauch mittels der Rücklaufleitung an die Poolwand an. Ziehen Sie den Schlauch zum längsten Ende des Pools. Das Schlauchende muss innerhalb von 15 cm – länger oder kürzer – vom weitesten Punkt entfernt liegen. Siehe den mit Punkten markierten Kreis.

**Ist der Schlauch zu lang?** Trennen Sie den Schlauch vom Center der Kippvorrichtung. Schneiden Sie die gleiche Länge, die der Schlauch zu lange ist, von jedem der 10 Fuß (3m) langen Schlauchteile ab.

**Ist der Schlauch zu kurz?** Kaufen Sie ein zusätzliches Zuleitungsschlauchstück (Teile Nr. 9-100-3104), eine Kippvorrichtung (Teile Nr. D20) und zwei Schlauchmutter (Teile Nr. D15) von einem autorisierten Polaris Händler.

Nachdem der Schlauch eingestellt wurde, sollen die Schwimmkörper wie dargestellt platziert werden.

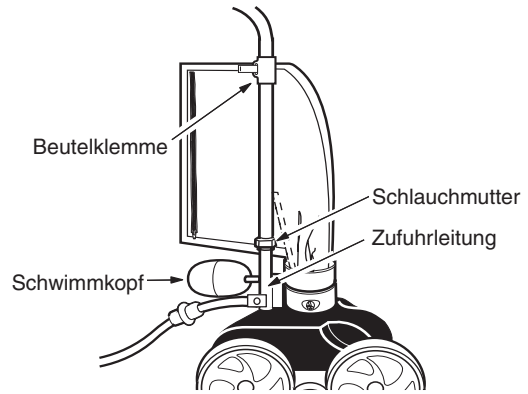




# 3

## Montage des Reinigers

1. Den Zuleitungsschlauch mit der Mutter an die Zufuhrleitung befestigen.
2. Den Beutel herausnehmen und den Beutelverschluss an den Zuleitungsschlauch befestigen.
3. Den Schwimmkopf mit einem Abstand von 1,30-2,5 cm von der Zufuhrleitung entfernt positionieren
4. Poolfilterpumpe einschalten und zum Ansaugen vorbereiten lassen, bevor die Druckpumpe eingeschaltet wird.

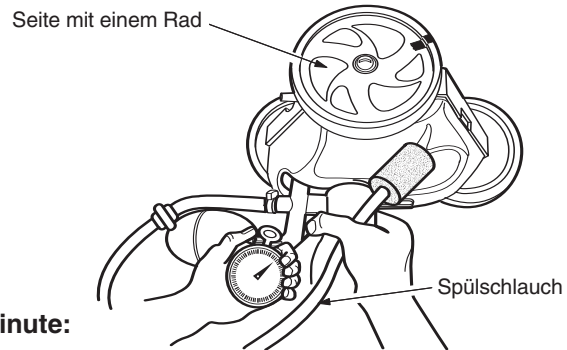


# 4

## Umdrehungszahl der Räder überprüfen

Bevor Sie den Polaris bedienen sollten Sie die Räder auf die richtige Umdrehung (Umdrehungszahl pro Minute oder UPM) überprüfen. Für die optimale Leistung soll der Polaris zwischen 28 und 32 Umdrehungen pro Minute laufen.

1. Markieren Sie eine Seite eines der Räder.
2. Schalten Sie die Pumpe ein und tauchen Sie den Polaris in das Wasser ein und zählen Sie die Radumdrehungen für eine Minute.



### Bei weniger als 28 Umdrehungen pro Minute:

- Das Filtersieb im RohrleitungsfILTER auf Abfall hin überprüfen.
- Den Schaumlöffel, den Filter und den Pumpenkorb reinigen.
- Schläuche, Verbindungen und Kippvorrichtungen auf Lecks überprüfen.
- Den blauen Durchflussbegrenzer von dem UWH entfernen.
- Wenn an der Druckpumpe oder an der Filterleitung ein einstellbares Durchlassventil installiert ist, soll dieses ganz geöffnet werden, damit das Wasser ungehindert zum Polaris fließen kann.

### Bei mehr als 32 Umdrehungen pro Minute::

- Ersetzen Sie die blaue Begrenzerscheibe in der universalen Wandhalterung (UWH) durch den roten Begrenzer. Wenn der Durchfluss immer noch zu groß ist, schrauben Sie das Druckverminderungsventil los, bis die richtige Umdrehungen pro Minute erreicht wurde. Hinweis: Das Druckverminderungsventil darf nur eingestellt werden, wenn ein Begrenzer installiert ist.
- Wenn auf der Drucksteigerungspumpe ein einstellbares Ventil installiert ist, stellen Sie dieses ein, um den Wasserfluss an den Reiniger zu reduzieren.

## Feineinstellung des Polaris Reinigers

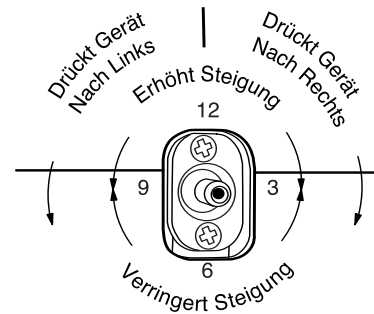
Wenn der Polaris richtig eingestellt ist, saugt, bürstet und reinigt er alle Flächen und Bereiche willkürlich im gesamten Pool. Der Polaris 280 wechselt etwa alle 3 Minuten in den Rückwärtsmodus um. Durch diese Bewegung entfernt sich der Polaris von etwaigen Hindernissen.

### Schub-Jet Einstellung

Das Schub-Jet steuert den Polaris. Die Fabrikeinstellung ist horizontal und nach hinten, jedoch können andere Einstellungen, je nach Pool, hilfreich sein.

### Sweep-Schlaucheinstellung

Der Sweep-Schlauch soll sich mühelos und un-gehindert hin und her bewegen. Zur Einstellung schalten Sie die Drucksteigerungspumpe aus und drehen die Sweep-Schlaucheinstellungsschraube. Drehen Sie sie im Uhrzeigersinn, um die Bewegung zu reduzieren.

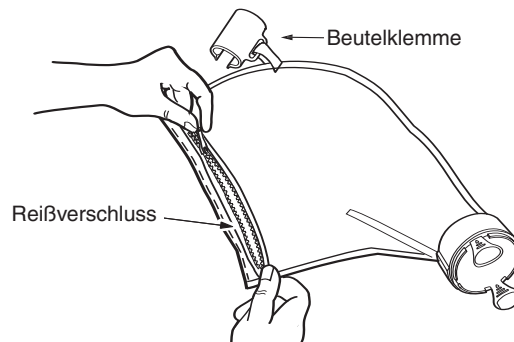


## Routine Wartung

### Filterbeutel reinigen

Entfernen Sie den Kragen des Beutels vom Zufuhrschlauch. Drehen Sie den Beutelanschluss, bis er mit einem Klicken vom Zufuhrrohr ausgekuppelt wird. Ziehen Sie den Beutel ab, öffnen Sie den Verschluss und entfernen Sie den Abfall. Zur Neuinstallation die Markierungen auf dem Anschluss und dem Zufuhrrohr ausrichten. Den Anschluss auf dem Rohr einklicken lassen und den Beutelkragen wieder am Schlauch anbringen.

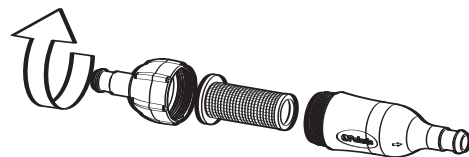
- ➔ Leeren Sie den Beutel, wenn er halb voll ist, besonders dann, wenn er durch Sand verschmutzt ist.
- ➔ Es ist einfacher, den Beutel zu leeren, wenn er trocken ist. Wechseln Sie zwischen zwei Filterbeuteln ab.



### Filter reinigen

Den Polaris immer abtrennen, wenn der Poolfilter gereinigt oder rückgespült wird. Nach dem Wiederanschluss des Reinigers das Filtersystem mindestens fünf Minuten laufen lassen.

Zum Reinigen des Filtersiebs dieses aus der Filtereinheit herausziehen, ausspülen und fest an seinen Platz zurückdrücken.

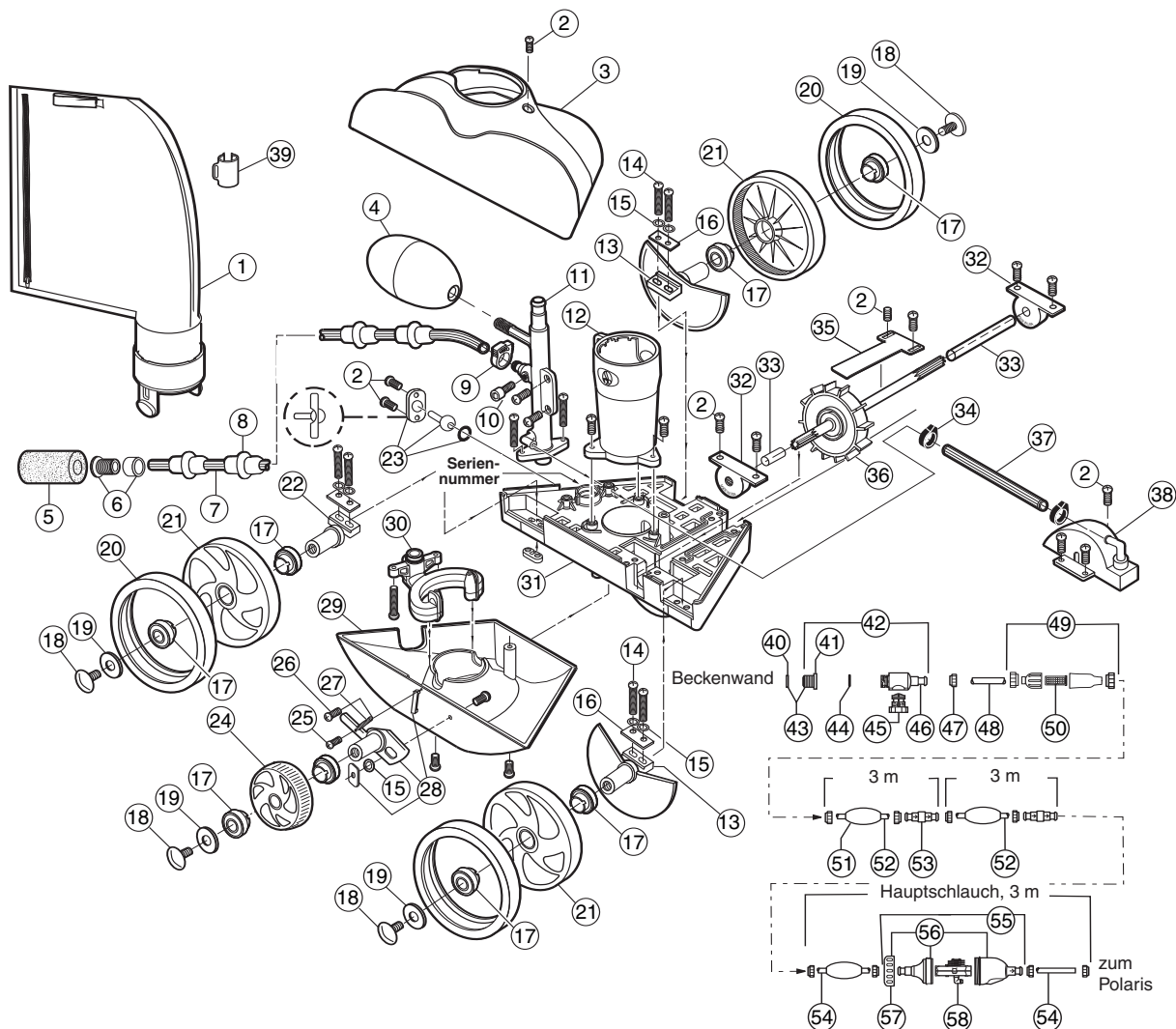


### Lagerung und Einwinterung

Der Polaris soll nie im direkten Sonnenlicht gelagert werden. Für die Einwinterung sollen alle Wasserrückstände aus den Schläuchen abgelassen werden (Schäden durch Frost werden von der Garantie nicht gedeckt). Entfernen Sie den UWH von der Poolwand, indem Sie den Quick Trenner benutzen und ihn durch Zugkraft abschrauben. In manchen Fällen kann es vorkommen, dass man das UWH Removal Tool (UWH Entferner) (Teile Nr. 10-102-00) benutzen muss, welchen Sie über Ihren Polaris Händler beziehen können.

# Polaris280

## Explosionsdarstellung



Deutsch

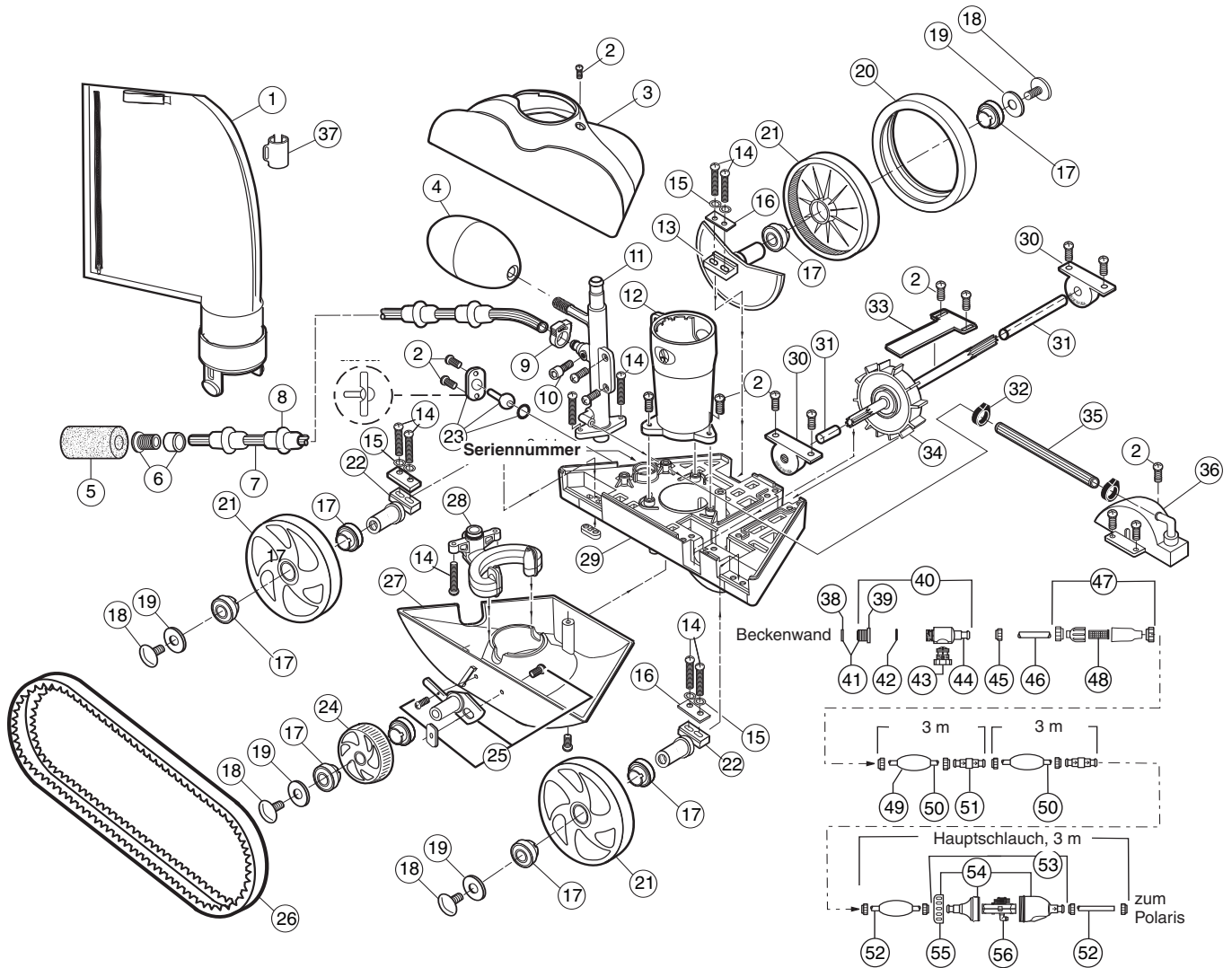
| Nr. | Teile-Nr.  | Bezeichnung                           | Anzahl | Nr. | Teile-Nr.  | Bezeichnung                        | Anzahl | Nr. | Teile-Nr.  | Bezeichnung                            | Anzahl |
|-----|------------|---------------------------------------|--------|-----|------------|------------------------------------|--------|-----|------------|--|--------|
| 1   | K13        | Allzweckbeutel*                       | 1      | 21  | C6         | Rad, Groß (ohne Kugellager)        | 3      | 42  | 9-100-9001 | UWH Verbindungsbausatz                 | 1      |
| 2   | C40        | Schraube, 10-32 x 3/8 Zoll            | 20     | 22  | C65        | Welle, Groß (nur für hinteres Rad) | 1      | 43  | 10-108-00  | UWH Durchflussbegrenzerkit             | 1      |
| 3   | K5         | Reiniger Oberseite                    | 1      | 23  | C131       | Schub-Jet Kit                      | 1      | 44  | 6-505-00   | O-Ring, UWH/QT                         | 1      |
| 4   | A20        | Schwimmkörper, Kopf                   | 1      | 24  | C16        | Zwischenrad, klein                 | 1      | 45  | 9-100-9002 | Druckverminderungsventil, schwarz      | 1      |
| 5   | 9-100-3105 | Schlauchbürste*                       | 1      | 25  | C30        | Schraube, 4-40 x 3/16 Zoll         | 1      | 46  | D29        | Quick-Trenner (QT), UWH                | 1      |
| 6   | B25        | Mundlochspitze mit Spitzenschutz      | 1      | 26  | C32        | Schraube, 6-32 x 1/2 Zoll          | 1      | 47  | D15        | Düsenmutter, Zuleitungsschlauch        | 10     |
| 7   | B5         | Spülschlauch komplett*                | 1      | 27  | C25        | Feder für C36                      | 1      | 48  | **         | Adapterschlauch, 21,6 cm               | 1      |
| 8   | B10        | Schleissringe*                        | 8      | 28  | C36        | Schwingachsenkit                   | 1      | 49  | 48-080     | Rohrleitungsfilter-Baugruppe           | 1      |
| 9   | B15        | Spülschlauchbausatzklammer            | 1      | 29  | K10        | Basis mit Stütze                   | 1      | 50  | 48-222     | Sieb, Rohrleitungsfilter               | 1      |
| 10  | B20        | Einstellschraube, Spülschlauch        | 1      | 30  | K25        | Wasserkontrollsystem (WKS)         | 1      | 51  | D10        | Schwimmkörper, Zuleitungsschlauch      | 9      |
| 11  | K30        | Zufuhrleitung mit Ellbogen            | 1      | 31  | K145       | Rahmen                             | 1      | 52  | D45        | Zuleitungsschlauch, 3 m                | 2      |
| 12  | K20        | Vakuumrohr                            | 1      | 32  | C80        | Kugellager, Turbine                | 2      | 53  | D20        | Kippvorrichtung, Kugellager            | 2      |
| 13  | C66        | Welle, Groß (mit Sand /Schotterschutz | 8      | 33  | C83        | Turbinenschaftröhre                | 1      | 54  | D50        | Zuleitungsschlauch, Hauptschlauch, 3 m | 1      |
| 14  | C76        | Schraube, 10-32 x 7/8 Zoll            | 2      | 34  | 9-100-7170 | Schlauchklammer für WKS            | 2      | 55  | G52        | Rücklaufventil                         | 1      |
| 15  | C45        | Sicherungsscheibe für C36             | 7      | 35  | A40        | Turbinenschafschutz                | 1      | 56  | G54        | Gehäusebausatz für G52                 | 1      |
| 16  | C70        | Achsscheibe für C65/C66               | 3      | 36  | C86        | Triebwellenbausatz                 | 1      | 57  | G57        | Verschluss, Rücklaufventil             | 1      |
| 17  | C60        | Kugellager, Räder                     | 8      | 37  | C120       | Schlauch für C110, 19 cm           | 1      | 58  | G53        | Mechanismus für G52                    | 1      |
| 18  | C55        | Radschraube, Plastik                  | 4      | 38  | C110       | Turbinenabdeckung mit Ellbogen     | 1      |     |            |  |        |
| 19  | C64        | Radbeilagscheibe, Plastik             | 4      | 39  | 9-100-1018 | Beutelverschluss                   | 1      |     |            |  |        |
| 20  | C10        | Rad, MaxTrax**                        | 3      | 40  | 10-112-00  | Durchflussbegrenzer, rot und blau  | 2      |     |            |  |        |
|     |            |                                       |        | 41  | 6-500-00   | Universale Wandhalterung (UWH)     | 1      |     |            |  |        |

\* Verschleißteile sind nicht von der Garantie gedeckt.

# Polaris280TankTrax

## Explosionsdarstellung

Deutsch



| Nr. | Teile-Nr.  | Bezeichnung                            | Anzahl | Nr. | Teile-Nr.  | Bezeichnung                       | Anzahl | Nr. | Teile-Nr.  | Bezeichnung                            | Anzahl |
|-----|------------|--|--------|-----|------------|-----------------------------------|--------|-----|------------|--|--------|
| 1   | K13        | Allzweckbeutel*                        | 1      | 20  | C10        | Rad, MaxTrax**                    | 1      | 40  | 9-100-9001 | UWH Verbindungsbausatz                 | 1      |
| 2   | C40        | Schraube, 10-32 x 3/8 Zoll             | 20     | 21  | C6         | Rad, Groß (ohne Kugellager)       | 3      | 41  | 10-108-00  | UWH Durchflussbegrenzerkit             | 1      |
| 3   | K5         | Reiniger Oberseite                     | 1      | 22  | K26        | Welle - TankTrax®                 | 2      | 42  | 6-505-00   | O-Ring, UWH/QT                         | 1      |
| 4   | A20        | Schwimmkörper, Kopf                    | 1      | 23  | C131       | Schub-Jet Kit                     | 1      | 43  | 9-100-9002 | Druckverminderungsventil, schwarz      | 1      |
| 5   | 9-100-3105 | Schlauchbürste*                        | 1      | 24  | K27        | Zwischenrad - TankTrax®           | 1      | 44  | D29        | Quick-Trenner (QT), UWH                | 1      |
| 6   | B25        | Mundlochspitze mit Spitzenschutz       | 1      | 25  | K28        | Schwingachsenkit - TankTrax®      | 1      | 45  | D15        | Düsenmutter, Zuleitungsschlauch 10     | 10     |
| 7   | B5         | Spülschlauch komplett*                 | 1      | 26  | C18        | Rad, TankTrax**                   | 1      | 46  | **         | Adapterschlauch, 21,6 cm               | 1      |
| 8   | B10        | Schleissringe*                         | 8      | 27  | K29        | Basis mit Stütze - TankTrax®      | 1      | 47  | 48-080     | Rohrleitungsfilter-Baugruppe           | 1      |
| 9   | B15        | Spülschlauchbausatzklammer             | 1      | 28  | K25        | Wasserkontrollsystem (WKS)        | 1      | 48  | 48-222     | Sieb, Rohrleitungsfilter               | 1      |
| 10  | B20        | Einstellschraube, Spülschlauch         | 1      | 29  | K145       | Rahmen                            | 1      | 49  | D10        | Schwimmkörper, Zuleitungsschlauch      | 9      |
| 11  | K30        | Zufuhrleitung mit Ellbogen             | 1      | 30  | C80        | Kugellager, Turbine               | 2      | 50  | D45        | Zuleitungsschlauch, 3 m                | 2      |
| 12  | K20        | Vakuumrohr                             | 1      | 31  | C83        | Turbinenschaftröhre               | 1      | 51  | D20        | Kippvorrichtung, Kugellager            | 2      |
| 13  | C66        | Welle, Groß (mit Sand /Schotterschutz) | 1      | 32  | 9-100-7170 | Schlauchklammer für WKS           | 2      | 52  | D50        | Zuleitungsschlauch, Hauptschlauch, 3 m | 1      |
| 14  | C76        | Schraube, 10-32 x 7/8 Zoll             | 10     | 33  | A40        | Turbinenschafschutz               | 1      | 53  | G52        | Rücklaufventil                         | 1      |
| 15  | C45        | Sicherungsscheibe für C36              | 7      | 34  | C86        | Triebwellenbausatz                | 1      | 54  | G54        | Gehäusebausatz für G52                 | 1      |
| 16  | C70        | Achsscheibe für C65/C66                | 3      | 35  | C120       | Schlauch für C110, 19 cm          | 1      | 55  | G57        | Verschluss, Rücklaufventil             | 1      |
| 17  | C60        | Kugellager, Räder                      | 8      | 36  | C110       | Turbinenabdeckung mit Ellbogen    | 1      | 56  | G53        | Mechanismus für G52                    | 1      |
| 18  | C55        | Radschraube, Plastik                   | 4      | 37  | 9-100-1018 | Beuterverschluss                  | 1      |     |            |  |        |
| 19  | C64        | Radbeilagscheibe, Plastik              | 4      | 38  | 10-112-00  | Durchflussbegrenzer, rot und blau | 2      |     |            |  |        |
|     |            |  |        | 39  | 6-500-00   | Universale Wandhalterung (UWH)    | 1      |     |            |  |        |

\* Verschleißteile sind nicht von der Garantie gedeckt.

# Fehlerbehebung

Sollte der Polaris Reiniger des öfteren folgende Probleme zeigen, kann es sein, dass eine Neueinstellung notwendig sind, um die ursprüngliche Leistung wieder herzustellen. Für Zubehörteile siehe Explosionsdarstellung.

## **Vorgang: Bleibt bei Stufen oder anderen Hindernissen länger als 3 Minuten hängen.**

- Lösung:
1. Umdrehungszahl der Räder überprüfen.
  2. Sicherstellen, dass das Rücklaufventil richtig durchläuft.
  3. Schub-Jet justieren.
  4. Unnötige Hardware vom Pool entfernen oder ein Leiter-Schutzkit installieren (bestellen Sie Teilenummer G21, von Ihrem Polaris Händler).

## **Vorgang: Der Polaris bewegt sich nur träge und läuft mit weniger Kraft als normal.**

- Lösung:
1. Filtersieb im Rohrleitungsfilter prüfen und ggf. reinigen.
  2. Schaumlöffelkorb, Pumpenkorb und Poolfilter reinigen.
  3. Alle Schläuche, Verbindungen und Kippvorrichtungen auf Lecks, die zum Verlust von Wasserdruck führen können, überprüfen.
  4. Umdrehungszahl der Räder überprüfen.

## **Vorgang: Der Polaris saust durch den Pool und/oder hat keinen Kontakt mit dem Boden.**

- Lösung:
1. Stellen Sie sicher, dass der blaue Durchflussbegrenzer in die UWH installiert ist und den Wasserdurchfluss drosselt, oder installieren Sie den roten Durchflussbegrenzer um den Wasserdurchfluss noch mehr zu drosseln.
  2. Umdrehungszahl der Räder überprüfen. Bei mehr als 32 Umdrehungen pro Minute lockern Sie das Überdruckventil, um den Wasserfluss zum Reiniger zu verringern. Hinweis: Das Druckverminderungsventil darf nur eingestellt werden, wenn ein Begrenzer installiert ist.
  3. Sicherstellen, dass das Rücklaufventil richtig durchläuft. Nehmen Sie das Ventil aus dem Wasser und beobachten Sie das Jet. Es sollte ein- und ausschalten.

## **Vorgang: Polaris Rücklauf funktioniert nicht.**

- Lösung:
1. Sicherstellen, dass das Rücklaufventil richtig durchläuft.
  2. Umdrehungszahl der Räder überprüfen.
  3. Wenn der Beutel voll ist, bitte leeren.
  4. Wenn sich im Schwimmkopf Wasser befindet, bitte ersetzen.
  5. Stellen Sie sicher, dass der Zufuhrschlauch schwimmt.

**Vorgang: Der Polaris dreht sich nur in eine Richtung.**

- Lösung:
1. Schub-Jet einstellen.
  2. Stellen Sie sicher, dass der Zufuhrschlauch schwimmt.

**Vorgang: Der Zufuhrschlauch verwickelt sich.**

- Lösung:
1. Messen Sie erneut die Schlauchlänge um sicher zu stellen, dass die Länge des Schlauches für die Länge des Pools richtig ist.
  2. Mit dem Polaris in der „An“ Position, überprüfen Sie, dass sich die Kippvorrichtungen, die zum Schlauch führen und dass sich die Schlauchverbindungen frei bewegen können.
  3. Stellen Sie sicher, dass der Zufuhrschlauch schwimmt.
  4. Mit dem Polaris in der „Aus“ Position, überprüfen Sie, ob sich jedes Rad dreht. Alle Räder sollten sich gleichzeitig drehen.

**Vorgang: Der Sweep-Schlauch wird in das Saugrohr gesaugt.**

- Lösung:
1. Stellen Sie sicher, dass das Ende des Sweep-Schlauches nicht von der Sweep-Schlauchbürste blockiert wird.
  2. Der Sweep-Schlauch soll so eingestellt sein, dass er sich mühelos und ungehindert hin und her bewegen kann.

**Vorgang: Der Sweep-Schlauch sprüht ständig Wasser aus dem Pool.**

- Lösung:
1. Sweep-Schlauch Geschwindigkeit einstellen, indem Sie die justierbaren Schrauben anziehen.
  2. Ersetzen Sie die Sweep-Schlauchbürste wenn sie abgenutzt ist oder wenn sie fehlt.

3. Fügen Sie ein Sweep-Schlauch Gewicht hinzu (Teile Nr. B2 bestellen), um zu vermeiden, dass der Sweep-Schlauch Wasser aus dem Pool sprüht.

**Vorgang: Der Reiniger reinigt nicht den gesamten Pool.**

- Lösung:
1. Stellen Sie sicher, dass der Schlauch bis auf 15,2 cm zum entferntesten Ende des Pools reicht.
  2. Prüfen Sie, ob das Schub-Jet in horizontaler Position steht und nach hinten zeigt, wodurch dann beliebige Drehungen optimiert werden können.
  3. Halten Sie den Reiniger, während er läuft, mit der Unterseite nach oben gerichtet und schauen Sie in das Vakuumrohr hinein. Es sollen dort zwei deutlich sichtbare Wasserstrahlen laufen. Sollte das nicht der Fall sein, dann setzen Sie sich bitte mit Ihrem Kundendienst oder mit einem von Polaris genehmigten Service Center in Verbindung.

**Vorgang: Der Reiniger liegt auf der Seite und dreht sich im Kreis.**

- Lösung:
1. Filterbeutel prüfen. Wenn dieser voll ist kann es den Reiniger auf einer Seite nach unten ziehen.
  2. Den Schwimmkopf entfernen und schütteln. Wenn in den Schwimmkopf Wasser eingedrungen ist, muss dieser ersetzt, und ein neuer bestellt werden.
  3. Prüfen Sie, ob die Schlauchschwimmkörper gleichmäßig verteilt und voneinander getrennt sind.



## Información importante

- Antes de instalar el Polaris, asegúrese de que el filtro de la piscina esté limpio.
- Si la tubería del agua es nueva, debiera purgarse antes de instalar el Polaris.
- El Polaris no debiera utilizarse para aspirar el polvo de yeso en las piscinas nuevas.
- A excepción de cuando compruebe las revoluciones de la rueda, no toque el Polaris mientras esté funcionando.
- Quite siempre el Polaris antes de que los nadadores entren en la piscina.
- Desconecte siempre el Polaris de la pared de la piscina cuando limpie o lave el filtro en contracorriente.
- Retire siempre el Polaris de la piscina antes de efectuar un tratamiento químico intensivo del agua.
- Después de limpiar o lavar el filtro en contracorriente, deje que le el sistema de filtración funcione al menos durante cinco minutos antes de volver a conectar el Polaris.

### Atención a clientes o apoyo técnico:

- Envíe inmediatamente por correo la tarjeta de garantía.
- Para apoyo técnico en línea: [www.polarispool.com](http://www.polarispool.com)
- Para comunicarse con Polaris: **US and Canada**  
Customer Service  
2620 Commerce Way  
Vista, CA 92081-8438  
1-800-822-7933

### **Polaris Vac-Sweep® 280 Garantía**

Ud. ha elegido la marca Polaris Vac-Sweep 280 y le agradecemos su confianza. Este producto se ha diseñado, fabricado y controlado con el mayor esmero para proporcionarle plena satisfacción

La garantía es válida para 2 años a partir de la fecha de facturación al primer usuario.

#### **ADVERTENCIA: USO DEL POLARIS 280 EN UNA PISCINA REVESTIDA DE VINILO**

Los dibujos en algunos revestimientos de vinilo son especialmente susceptibles a desgaste superficial o borrado del dibujo, como resultado de que entren en contacto con la superficie vinílica determinados objetos, tales como cepillos, juguetes de piscina, flotadores, fuentes, surtidores de cloro y limpiafondos automáticos. Los dibujos de algunos revestimientos de vinilo pueden rayarse o rasgarse de manera considerable simplemente al rozar la superficie con un cepillo de piscina. También puede borrarse la tinta del dibujo durante la instalación o al entrar en contacto con objetos en la piscina. Zodiac no asume responsabilidad alguna por el borrado del dibujo o el rayado o rasgado del revestimiento de vinilo, ni la garantía limitada cubre estas contingencias.



# Introducción

Reciba nuestras felicitaciones por la compra de su nuevo limpiafondos automático y gracias por preferir Polaris. El diseño del limpiafondos Polaris Vac-Sweep 280 le brindará muchos años de servicio confiable y eficiente.

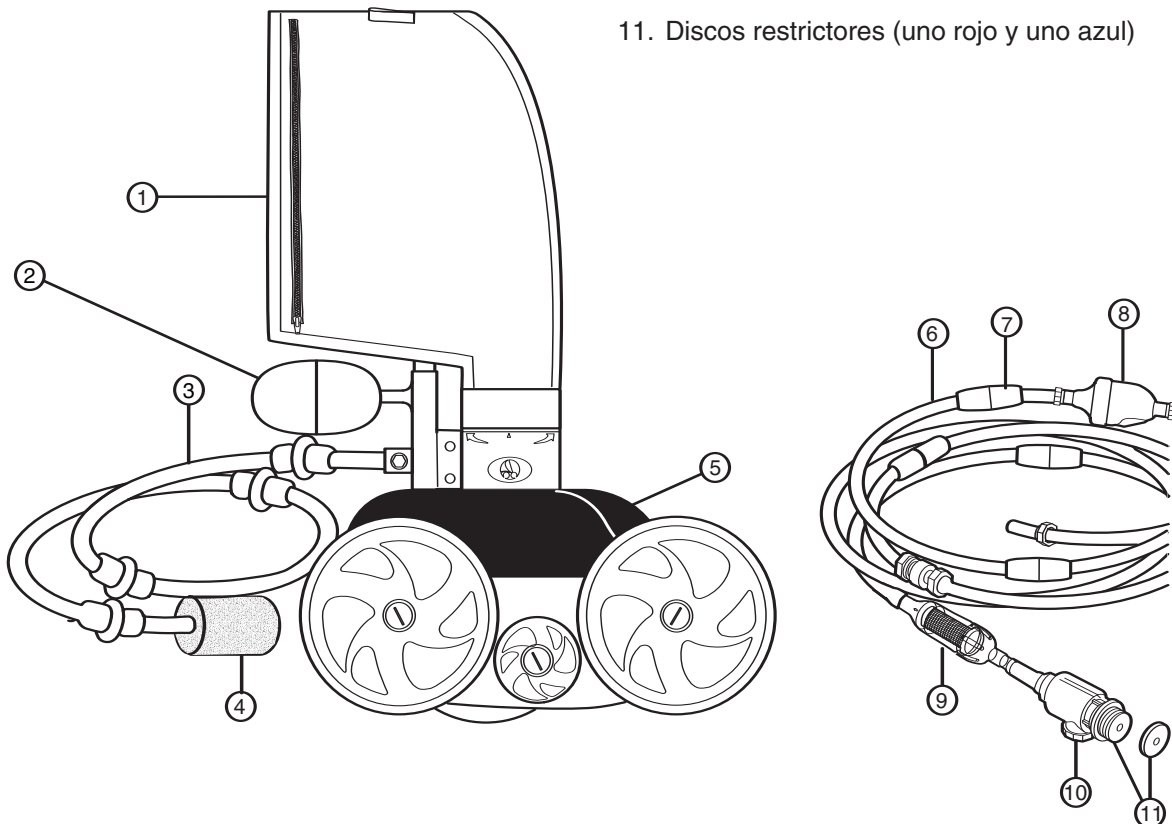
Al igual que muchos dispositivos mecánicos, el Polaris requiere de ajustes y mantenimiento periódico, así como la reposición eventual de algunas piezas de uso muy intensivo. Asegúrese de que el Polaris sea revisado ocasionalmente por su distribuidor local de Polaris o por un centro de servicio autorizado.

Siempre insista en genuinas piezas de repuesto Polaris. Las piezas de otras marcas no están fabricadas a nuestras especificaciones. Podrían afectar adversamente el funcionamiento de su Polaris y hasta dañarlo.

Para lograr los mejores resultados, el Polaris 280 debe ser instalado por un técnico especializado en piscinas. Para personas con experiencia y confianza en el manejo de equipo mecánico y en fontanería, este manual describe el procedimiento de instalación.

## Limpiafondos completo Polaris 280

1. Bolsa con cremallera multiuso
2. Flotador del cabezal
3. Manguera barredora
4. Restregador de la manguera barredora
5. Cuerpo del limpiafondos
6. Manguera alimentadora
7. Flotadores de la manguera
8. Válvula de retroceso
9. Conjunto de filtro en línea
10. Desconector rápido con conector universal de pared (CUP)
11. Discos restrictores (uno rojo y uno azul)



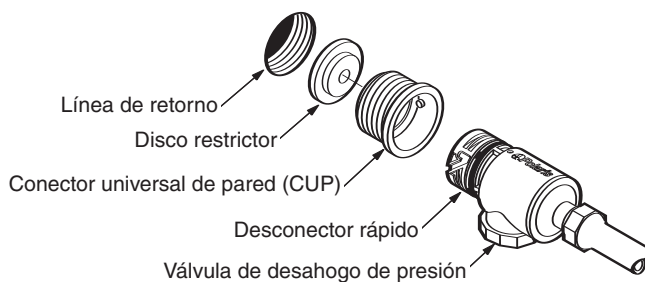
# Instrucciones para la instalación rápida

## 1

### Instale el conector universal de pared

El conector universal de pared (CUP) se instala en minutos en piscinas que cuenten con línea exclusiva de retorno para la limpieza y un accesorio hembra de tubería 1-1/2 pulgadas (3,8 cm) con rosca.

1. Encienda la bomba de filtración y purgue la tubería. Apague la bomba.
2. Desatornille el CUP del desconector rápido y atornille el CUP con el restrictor azul en la abertura de retorno.
3. Gire el desconector rápido en el sentido horario para que entre en el CUP y tire hacia afuera para asegurarlo.



## 2

### Ajuste la manguera alimentadora al tamaño de la piscina

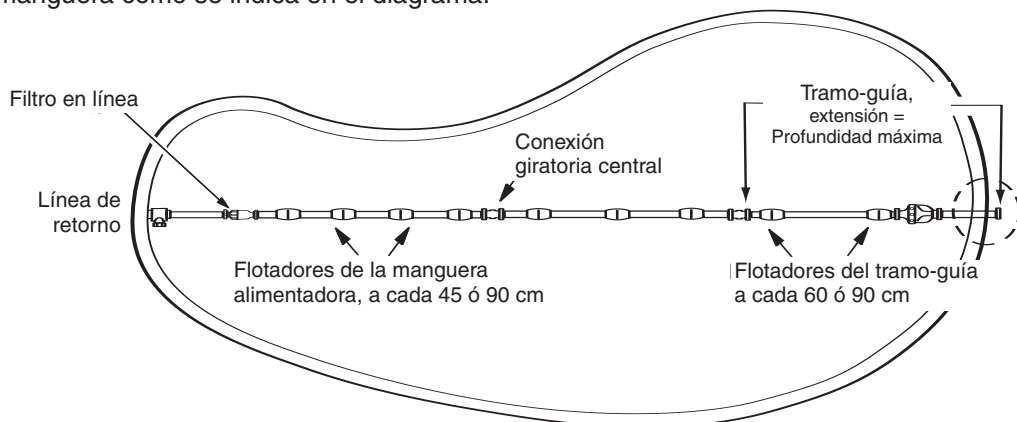
Mida la parte más profunda de la piscina. Corte el tramo-guía de la manguera, en el extremo que se conecta a la manguera alimentadora, de manera que la extensión del tramo-guía sea igual a la profundidad máxima de la piscina.

Conecte el tramo-guía a la manguera alimentadora y conecte la manguera a la línea de retorno en la pared de la piscina. Extienda la manguera hasta el punto más alejado de la piscina. El extremo de la manguera debe quedar entre 15 cm antes de este punto y 15 cm más allá de este punto, tal como se muestra en el círculo punteado del dibujo.

**¿Resulta demasiado larga la manguera?** Separe la manguera donde se encuentra la conexión giratoria. Corte cantidades iguales del excedente de cada tramo de 3 m.

**¿Queda corta la manguera?** Compre de un representante autorizado de Polaris un tramo adicional de manguera (Pza. No 9-100-3104), una conexión giratoria (Pza. No D20) y dos tuercas para manguera (Pza. No D15).

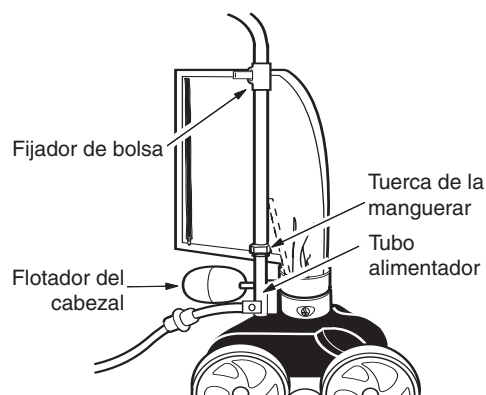
Una vez ajustada la extensión de la manguera, coloque los flotadores de la manguera como se indica en el diagrama.



# 3

## Arme el limpiafondos

1. Use la tuerca para sujetar la manguera alimentadora al conducto de alimentación.
2. Saque la bolsa y sujete el collarín de la bolsa al tubo alimentador.
3. Coloque el flotador del cabezal 1,3 ó 2,5 cm detrás del conducto de alimentación.
4. Encienda la bomba de filtración de la piscina y permita que cebe antes de encender la bomba reforzadora.



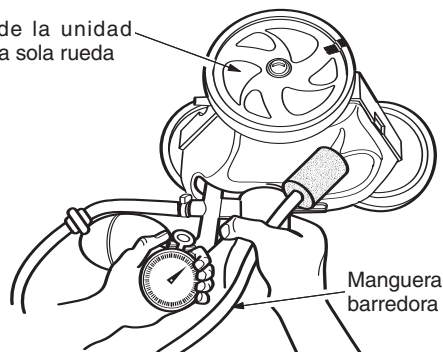
# 4

## Compruebe las RPM de la rueda

Antes de usar el Polaris, asegúrese de que la rueda gire a las revoluciones por minuto (RPM) correctas. Para lograr la máxima eficiencia, el Polaris debiera funcionar entre 28 y 32 RPM.

1. Marque el neumático del lado del limpiafondos que tiene una sola rueda.
2. Encienda la bomba, sostenga el limpiafondos debajo del agua y cuente las revoluciones de la rueda durante un minuto.

Lado de la unidad con una sola rueda



### Si gira a **menos de 28 RPM:**

- Inspeccione el tamiz del filtro en línea para ver si tiene suciedad que restrinja el flujo del agua.
- Limpie el skimmer, el filtro y la cesta de la bomba.
- Inspeccione las mangueras, conexiones y rótulas en busca de fugas.
- Quite el disco restrictor azul del CUP.
- Si la bomba reforzadora o línea del limpiafondos cuenta con válvula de desagüe, ábrala por completo para que el agua llegue libremente al Polaris.

### Si gira a **más de 32 RPM:**

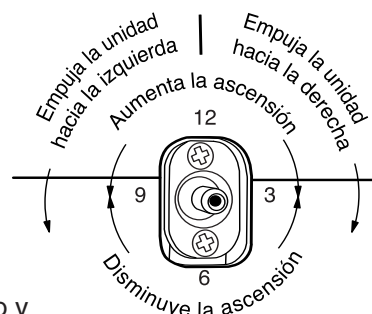
- Reemplace el disco reductor azul en el Conector Universal de Pared (CUP) por el reductor rojo. Si el caudal es demasiado alto, desenrosque la válvula reguladora de presión hasta alcanzar las RPM adecuadas. Nota: La válvula reguladora de presión sólo se debe ajustar si se encuentra instalado un reductor.
- Si se instala una válvula ajustable en la bomba de refuerzo, ajústela para reducir el caudal de agua al limpiador.

## Ajustes menores del limpiafondos Polaris

Al funcionar correctamente, el Polaris aspira, barre y restrega, al azar, todas las superficies de la piscina. Aproximadamente cada 3 minutos, el Polaris 280 entra en reversa. Esta acción aleja el Polaris de obstáculos en la piscina.

### Ajuste del chorro impulsor

El chorro impulsor determina la dirección del Polaris. La posición fijada en la fábrica es la central, pero otras posiciones podrían resultar útiles, según la configuración de la piscina.



### Ajuste de la manguera barredora

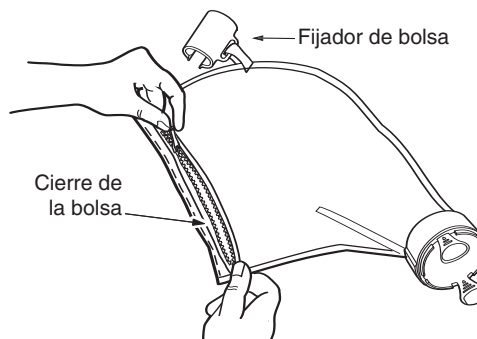
La manguera barredora debería moverse en una forma de barrido suave. Para ajustarla, apague la bomba de refuerzo y gire el tornillo de ajuste de la manguera barredora. Para disminuir el movimiento, gire en sentido de las agujas del reloj.

## Mantenimiento periódico

### Limpieza de la bolsa del filtro

Quite el collarín de la bolsa de la manguera alimentadora. Tuerza el conector de la bolsa hasta que se desconecte con un sonido de clic del tubo alimentador. Quite la bolsa, abra el cierre y deseche los residuos. Para reinstalarla, alinee las marcas en el conector y el tubo alimentador. Presione el conector en posición del tubo y vuelva a sujetar el collarín de la bolsa a la manguera.

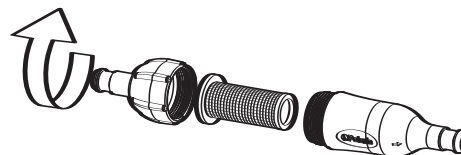
- Vacíe la bolsa cuando se encuentre llena hasta la mitad, especialmente si contiene arena.
- Es más fácil vaciar la bolsa cuando está seca. Alterne entre dos bolsas.



### Limpieza del filtro

Siempre desconecte el Polaris antes de limpiar o lavar en contracorriente el filtro de la piscina y deje que el sistema de filtración funcione durante al menos cinco minutos antes de volver a conectar el limpiador.

Para limpiar la criba del filtro en línea, retírela del sistema de filtro, enjuáguela y vuélvala a presionar firmemente en su lugar.

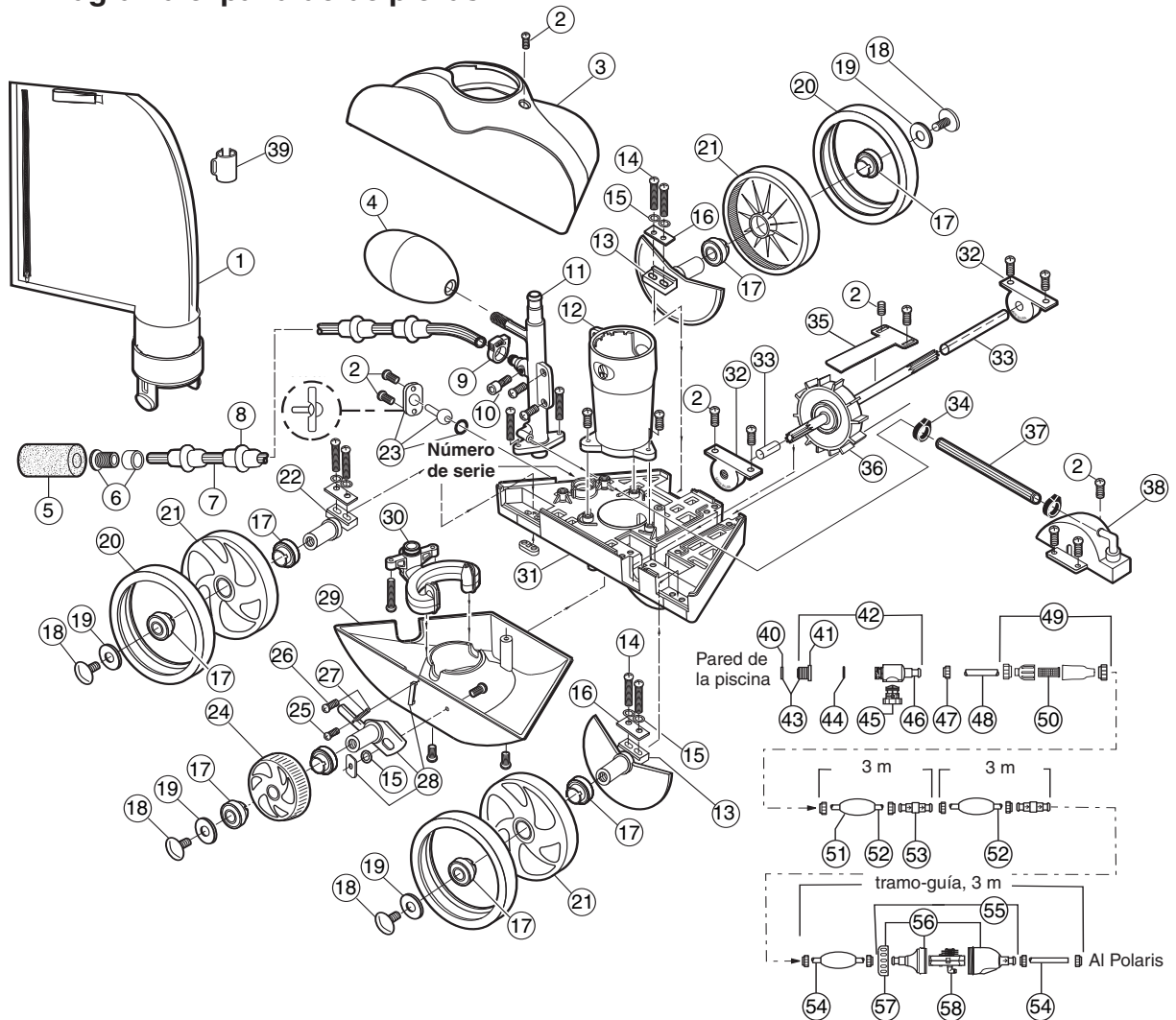


### Almacenaje y preparación para el invierno

Nunca guarde el Polaris exponiéndolo a los rayos directos del Sol. Antes de almacenar el Polaris para el invierno, drene todo el agua del Polaris (La garantía no cubre daños por congelación). Quite el conector universal de pared (CUP) de la pared de la piscina, colocando el desconector rápido y tirando con presión para desenroscarlo. Si es necesario, utilice la herramienta para quitar el CUP (número de pieza 10-102-00) que puede obtener de cualquier distribuidor Polaris autorizado.

# Polaris280

## Diagrama expandido de piezas

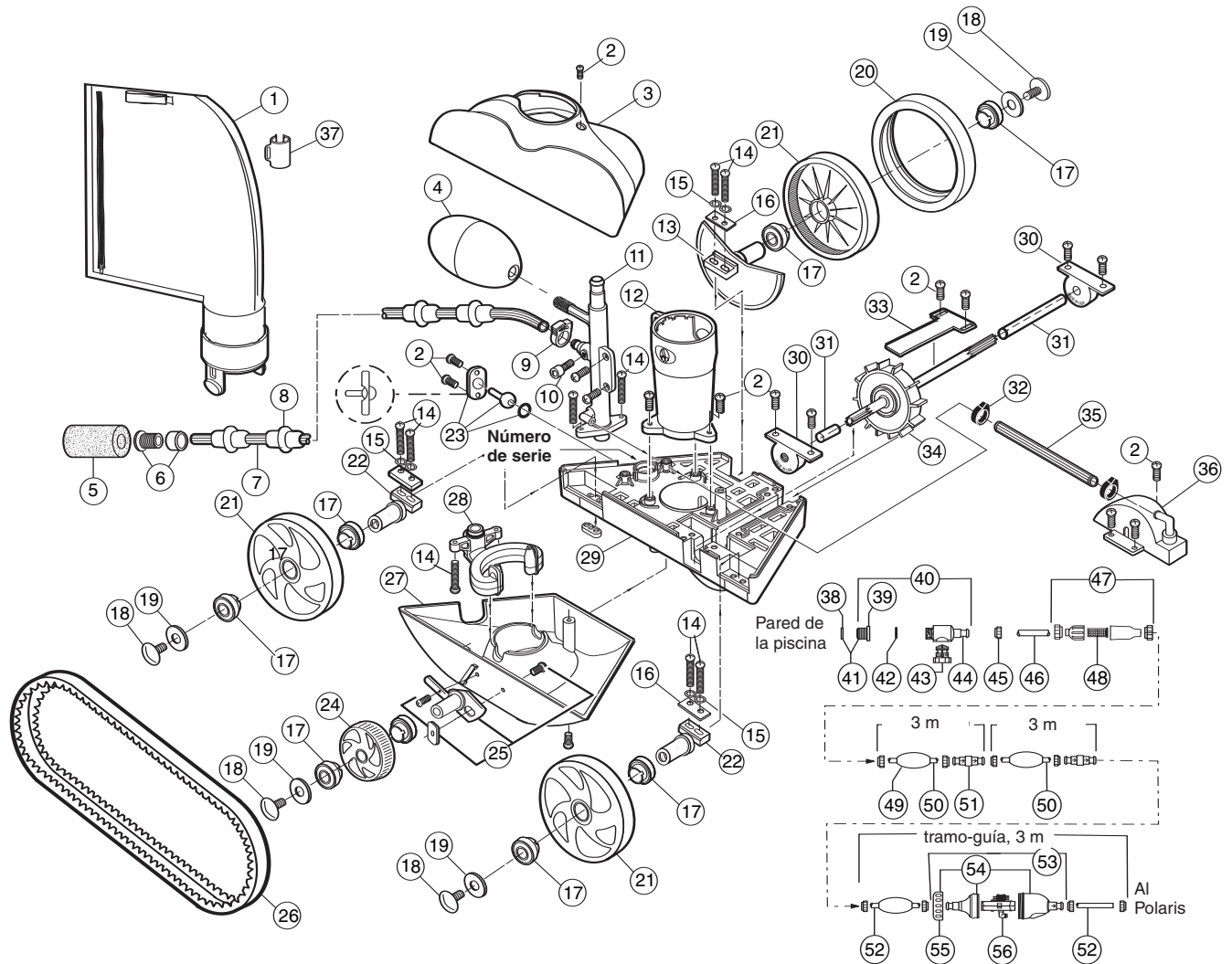


| No. | No. pieza  | Descripción                                | Cant. | No. | No. pieza  | Descripción                           | Cant. | No. | No. pieza  | Descripción                            | Cant. |
|-----|------------|--|-------|-----|------------|---------------------------------------|-------|-----|------------|--|-------|
| 1   | K13        | Bolsa con cremallera multiuso*             | 1     | 21  | C6         | Rueda grande (no incluye rodamientos) | 3     | 40  | 10-112-00  | Disco restrictor, CUP, rojo y azul     | 2     |
| 2   | C40        | Tornillo, 10-32 x 3/8"                     | 20    | 22  | C65        | Eje largo (sólo rueda posterior)      | 1     | 41  | 6-500-00   | Conector universal de pared (CUP)      | 1     |
| 3   | K5         | Carcasa superior                           | 1     | 23  | C131       | Juego del chorro impulsor             | 1     | 42  | 9-100-9001 | Conjunto de CUP                        | 1     |
| 4   | A20        | Flotador, cabezal                          | 1     | 24  | C16        | Rueda pequeña                         | 1     | 43  | 10-108-00  | Juego de restrictores, CUP             | 1     |
| 5   | 9-100-3105 | Frotador, cola barredora*                  | 1     | 25  | C30        | Tornillo, 4-40 x 3/16"                | 1     | 44  | 6-505-00   | Anillo espaciador, CUP/DR              | 1     |
| 6   | B25        | Casquillo de orificio con protector        | 1     | 26  | C32        | Tornillo, 6-32 x 1/2"                 | 1     | 45  | 9-100-9002 | Válvula reguladora de presión, negra   | 1     |
| 7   | B5         | Manguera barredora completa*               | 1     | 27  | C25        | Muelle para C36                       | 1     | 46  | D29        | Desconector rápido (DR), CUP           | 1     |
| 8   | B10        | Anillo protector*                          | 8     | 28  | C36        | Juego de eje oscilador                | 1     | 47  | D15        | Tuerca, manguera alimentadora          | 10    |
| 9   | B15        | Abrazadera, manguera barredora             | 1     | 29  | K10        | Carcasa inferior con abrazadera       | 1     | 48  | **         | Manguera adaptadora, 21,6 cm           | 1     |
| 10  | B20        | Rosca de ajuste, manguera barredora        | 1     | 30  | K25        | Sistema distribuidor de agua (SDA)    | 1     | 49  | 48-080     | Conjunto de filtro en línea            | 1     |
| 11  | K30        | Conducto de alimentación con codo          | 1     | 31  | K145       | Carcasa completa                      | 1     | 50  | 48-222     | Tamiz, filtro en línea                 | 1     |
| 12  | K20        | Tubo de vacío                              | 1     | 32  | C80        | Rodamiento, turbina                   | 2     | 51  | D10        | Flotador, manguera alimentadora        | 9     |
| 13  | C66        | Eje largo (con protector de arena y grava) | 2     | 33  | C83        | Cilindro de eje de turbina            | 1     | 52  | D45        | Manguera alimentadora, 3 m             | 2     |
| 14  | C76        | Tornillo, 10-32 x 7/8"                     | 2     | 34  | 9-100-7170 | Abrazadera de manguera para el SDA    | 2     | 53  | D20        | Conexión giratoria, rodamiento         | 3     |
| 15  | C45        | Arandela de cierre para C36                | 10    | 35  | A40        | Protector del eje de la turbina       | 1     | 54  | D50        | Manguera alimentadora, tramo-guía, 3 m | 1     |
| 16  | C70        | Placa de eje para C65 y C66                | 3     | 36  | C86        | Conjunto del eje de transmisión       | 1     | 55  | G52        | Conjunto de válvula de retroceso       | 1     |
| 17  | C60        | Rodamiento, rueda                          | 8     | 37  | C120       | Manguera para C110, 19 cm             | 1     | 56  | G54        | Juego de estuche para G52              | 1     |
| 18  | C55        | Tornillo de rueda, plástico                | 4     | 38  | C110       | TCubierta de turbina con codo         | 1     | 57  | G57        | Collarín, válvula de retroceso         | 1     |
| 19  | C64        | Arandela de rueda, plástico                | 4     | 39  | 9-100-1018 | Fijador para bolsa                    | 1     | 58  | G53        | Mecanismo para G52                     | 1     |
| 20  | C10        | Neumático, MaxTrax**                       | 3     |     |            |                                       |       |     |            |  |       |

\* Los componentes sujetos a desgaste no quedan comprendidos por la garantía.

# Polaris280TankTrax

## Diagrama expandido de piezas



Español

| No. | No. pieza  | Descripción                                | Cant. | No. | No. pieza  | Descripción                                  | Cant. | No. | No. pieza  | Descripción                            | Cant. |
|-----|------------|--|-------|-----|------------|--|-------|-----|------------|--|-------|
| 1   | K13        | Bolsa con cremallera multiuso*             | 1     | 21  | C6         | Rueda grande (no incluye rodamientos)        | 3     | 39  | 6-500-00   | Conector universal de pared (CUP)      | 1     |
| 2   | C40        | Tornillo, 10-32 x 3/8"                     | 20    | 22  | K26        | Eje - TankTrax®                              | 2     | 40  | 9-100-9001 | Conjunto de CUP                        | 1     |
| 3   | K5         | Carcasa superior                           | 1     | 23  | C131       | Juego del chorro impulsor                    | 1     | 41  | 10-108-00  | Juego de restrictores, CUP             | 1     |
| 4   | A20        | Flotador, cabezal                          | 1     | 24  | K27        | Rueda pequeña - TankTrax®                    | 1     | 42  | 6-505-00   | Anillo espaciador, CUP/DR              | 1     |
| 5   | 9-100-3105 | Frotador, cola barredora*                  | 1     | 25  | K28        | Juego de eje oscilador-TankTrax®             | 1     | 43  | 9-100-9002 | Válvula reguladora de presión, negra   | 1     |
| 6   | B25        | Casquillo de orificio con protector        | 1     | 26  | C18        | Neumático, TankTrax®*                        | 1     | 44  | D29        | Desconector rápido (DR), CUP           | 1     |
| 7   | B5         | Manguera barredora completa*               | 1     | 27  | K29        | Carcasa inferior con abrazadera - TankTrax®* | 1     | 45  | D15        | Tuerca, manguera alimentadora          | 10    |
| 8   | B10        | Anillo protector*                          | 8     | 28  | K25        | Sistema distribuidor de agua (SDA)           | 1     | 46  | **         | Manguera adaptadora, 21,6 cm           | 1     |
| 9   | B15        | Abrazadera, manguera barredora             | 1     | 29  | K145       | Carcasa completa                             | 1     | 47  | 48-080     | Conjunto de filtro en línea            | 1     |
| 10  | B20        | Rosca de ajuste, manguera barredora        | 1     | 30  | C80        | Rodamiento, turbina                          | 2     | 48  | 48-222     | Tamiz, filtro en línea                 | 1     |
| 11  | K30        | Conducto de alimentación con codo          | 1     | 31  | C83        | Cilindro de eje de turbina                   | 1     | 49  | D10        | Flotador, manguera alimentadora        | 9     |
| 12  | K20        | Tubo de vacío                              | 1     | 32  | 9-100-7170 | Abrazadera de manguera para el SDA           | 2     | 50  | D45        | Manguera alimentadora, 3 m             | 2     |
| 13  | C66        | Eje largo (con protector de arena y grava) | 1     | 33  | A40        | Protector del eje de la turbina              | 1     | 51  | D20        | Conexión giratoria, rodamiento         | 2     |
| 14  | C76        | Tornillo, 10-32 x 7/8"                     | 10    | 34  | C86        | Conjunto del eje de transmisión              | 1     | 52  | D50        | Manguera alimentadora, tramo-guía, 3 m | 1     |
| 15  | C45        | Arandela de cierre para C36                | 7     | 35  | C120       | Manguera para C110, 19 cm                    | 1     | 53  | G52        | Conjunto de válvula de retroceso       | 1     |
| 16  | C70        | Placa de eje para C65 y C66                | 3     | 36  | C110       | TCubierta de turbina con codo                | 1     | 54  | G54        | Juego de estuche para G52              | 1     |
| 17  | C60        | Rodamiento, rueda                          | 8     | 37  | 9-100-1018 | Fijador para bolsa                           | 1     | 55  | G57        | Collarín, válvula de retroceso         | 1     |
| 18  | C55        | Tornillo de rueda, plástico                | 4     | 38  | 10-112-00  | Disco restrictor, CUP, rojo y azul           | 2     | 56  | G53        | Mecanismo para G52                     | 1     |
| 19  | C64        | Arandela de rueda, plástico                | 4     |     |            |  |       |     |            |  |       |
| 20  | C10        | Neumático, MaxTrax®*                       | 1     |     |            |  |       |     |            |  |       |

\* Los componentes sujetos a desgaste no quedan comprendidos por la garantía.

## Resolución de problemas

Si el limpiafondos Polaris muestra cualquiera de las siguientes acciones, podrían resultar necesarios algunos ajustes para lograr el máximo rendimiento. Consulte el diagrama detallado de las piezas para obtener las referencias de éstas.

**Acción: Se atasca más de 3 minutos en los escalones u otros obstáculos.**

- Solución:
1. Compruebe las RPM de la rueda.
  2. Verifique que la válvula de retroceso esté ciclando.
  3. Ajuste el chorro impulsor.
  4. Retire de la piscina los aditamentos innecesarios o instale placas protectoras para escalerilla (Pida de un distribuidor Polaris la pieza G-21).

**Acción: El Polaris se muestra muy lento, con menos potencia que lo normal.**

- Solución:
1. Inspeccione el tamiz del filtro en el conjunto del filtro en línea y, de ser necesario, límpielo.
  2. Limpie la cesta del skimmer, la cesta de la bomba y el filtro de la piscina.
  3. Inspeccione todas las mangueras, conexiones y rótulas para ver si hay fugas que pudieran provocar una pérdida de presión del agua.
  4. Compruebe las RPM de la rueda.

**Acción: El Polaris corre por la piscina a velocidad excesiva o no hace contacto con el fondo.**

- Solución:
1. Verifique que el disco restrictor color azul se encuentre instalado en el CUP para reducir el flujo del agua. O instale el disco restrictor rojo para reducir el flujo aún más.
  2. Compruebe las RPM de la rueda. Si exceden de 32 RPM, desenrosque la válvula de desahogo de presión para reducir la cantidad de agua que llega al limpiafondos. Nota: La válvula reguladora de presión sólo se debe ajustar si se encuentra instalado un reductor.
  3. Verifique que la válvula de retroceso esté ciclando. Sostenga la válvula fuera del agua y observe el chorro. Debe salir y desaparecer en forma intermitente.

**Acción: El Polaris no retrocede.**

- Solución:
1. Verifique que la válvula de retroceso esté ciclando.
  2. Compruebe las RPM de la rueda.
  3. Si la bolsa se encuentra llena, vacíela.
  4. Si el flotador de la cabeza tiene agua, reemplácelo.
  5. Asegúrese que la manguera alimentadora esté flotando.

**Acción: El Polaris gira siempre en el mismo sentido.**

- Solución:
1. Ajuste el chorro impulsor.
  2. Asegúrese que la manguera alimentadora esté flotando.

**Acción: La manguera alimentadora se atasca.**

- Solución:
1. Vuelva a medir la manguera para verificar que se ha ajustado al tamaño correcto, de acuerdo con la configuración de la piscina.
  2. Con el Polaris funcionando, verifique que las rótulas en la manguera y las conexiones de la manguera giran libremente.
  3. Asegúrese que la manguera alimentadora esté flotando.
  4. Con el Polaris apagado, haga girar cada una de las ruedas. Todas deben girar al mismo tiempo.

**Acción: La manguera barredora es succionada por el tubo de aspiración.**

- Solución:
1. Verifique que el restregador no ha obstruido la abertura al final de la manguera barredora.
  2. Ajuste la manguera barredora hasta lograr movimientos amplios y suaves.

**Acción: La manguera barredora constantemente rocía agua fuera de la piscina.**

- Solución:
1. Ajuste la velocidad de la manguera barredora, apretando el tornillo de ajuste.
  2. Reemplace el restregador de la manguera barredora si falta o se encuentra desgastado.
  3. Agregue una pesa para la manguera barredora (pida la pieza B-2) para impedir que la manguera rocíe agua.

**Acción: El limpiafondos no limpia toda la piscina.**

- Solución:
1. Verifique que la extensión de la manguera quede dentro de 15 cm del punto más alejado de la piscina.
  2. Vea si el chorro impulsor se encuentra en la posición central, que es la óptima para realizar giros al azar.
  3. Sostenga el limpiafondos boca abajo mientras se encuentre funcionando e inspeccione el tubo de aspiración. Deben verse claramente dos chorros parejos de agua. De lo contrario, comuníquese con la oficina de atención a clientes o con un centro de servicio autorizado de Polaris.

**Acción: El limpiafondos está de lado, girando en círculos.**

- Solución:
1. Inspeccione la bolsa del filtro. Si está llena, puede desequilibrar el limpiafondos.
  2. Quite el flotador del cabezal y sacúdalo. Si hay agua en el flotador, pida un flotador nuevo.
  3. Inspeccione los flotadores de la manguera para asegurar que se encuentren separados uniformemente.





## Informazioni importanti

- Prima di installare il Polaris, accertarsi che il filtro della piscina sia pulito.
- Le tubature nuove devono essere lavate a fondo prima di installare il Polaris.
- Il Polaris non va utilizzato per rimuovere la polvere dell'intonaco di una piscina nuova.
- Non maneggiare mai il Polaris quando è in funzione a meno che non si debba controllare l'RPM (numero di giri al minuto) delle ruote.
- Togliere sempre il Polaris dalla piscina prima che vi entrino i bagnanti.
- Scollegare sempre il Polaris dalla parete della piscina quando si pulisce o si lava il suo filtro.
- Togliere sempre il Polaris dalla piscina prima di trattare l'acqua con agenti chimici.
- Dopo avere pulito o lavato il filtro, lasciare che l'impianto di filtrazione funzioni per almeno cinque minuti prima di ricollegare il Polaris.

## Per assistenza clienti o supporto

- Si prega di inviare immediatamente la cartolina della garanzia
- Per supporto on-line [www.polarispool.com](http://www.polarispool.com)
- Per contattare la Polaris: **US and Canada**  
Customer Service  
2620 Commerce Way  
Vista, CA 92081-8438  
1-800-822-7933

### Polaris Vac-Sweep® 280 Garanzia

Lei ha scelto la marca Polaris Vac-Sweep 280 e noi perciò la ringraziamo per la sua fiducia. Questo prodotto è stato ideato, prodotto e controllato con la massima cura per garantirne la completa soddisfazione.

La durata della garanzia è fissata ad 2 annos a partire dalla data di fatturazione al primo utente..

#### AVVERTENZA: USO DEL POLARIS IN UNA PISCINA CON RIVESTIMENTO IN VINILE

Certi rivestimenti in vinile hanno dei disegni che sono particolarmente suscettibili a usura superficiale rapida o a cancellazione del disegno causati dal contatto con vari oggetti, compreso spazzole, giocattoli acquatici, galleggianti, fontane, distributori per la clorazione e dispositivi automatici per la pulizia di piscine. I disegni di alcuni rivestimenti in vinile possono venire seriamente danneggiati con graffiature semplicemente strofinando la superficie con una spazzola per piscine. L'inchiostro del disegno può anche cancellarsi durante l'installazione o quando viene a contatto di oggetti posti nella piscina. La Zodiac non assume responsabilità per la cancellazione, abrasione o segnatura di un rivestimento in vinile e tali danni non sono coperti dalla garanzia limitata.

# Introduzione

Congratulazioni per l'acquisto di un nuovo dispositivo di pulizia automatica per piscine e grazie di avere scelto un Polaris. Il Polaris Vac-Sweep 280 è stato progettato per fornire anni di servizio affidabile ed efficiente.

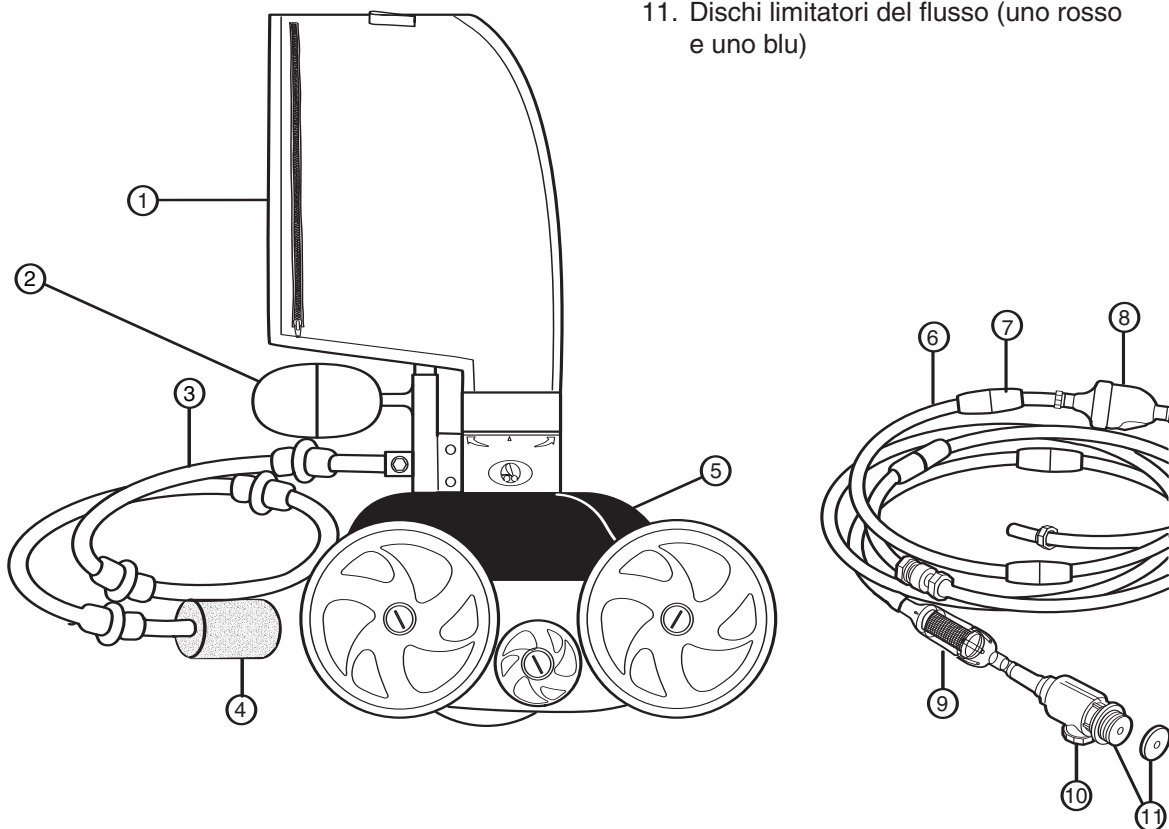
Come tutti i dispositivi meccanici, il Polaris richiede regolazioni periodiche, una manutenzione regolare e la sostituzione di certe parti sottoposte a lavoro pesante. Accertarsi che il Polaris venga controllato di tanto in tanto da parte del rivenditore Polaris locale o di un centro di servizio autorizzato.

Richiedere sempre che vengano usate parti di ricambio originali Polaris. Pezzi di ricambio di altre marche non sono prodotti secondo le specifiche della fabbrica. Tali pezzi possono influire in modo negativo sulle prestazioni del Polaris e possono anche danneggiarlo.

Per ottenere i risultati migliori, il Polaris 280 deve essere installato da un tecnico specializzato. Questo manuale descrive come installare il dispositivo per persone che hanno esperienza e dimestichezza con impiegati idraulici e attrezzature meccaniche.

## Il dispositivo di pulizia completo Polaris 280

1. Sacco d'impiego generale provvisto di chiusura zip
2. Galleggiante di testa
3. Tubo flessibile di pulizia
4. Spazzola del tubo flessibile di pulizia
5. Corpo del dispositivo di pulizia
6. Tubo flessibile di alimentazione
7. Galleggianti dei tubi flessibili
8. Valvola di rigurgito
9. Gruppo filtro in linea
10. Dispositivo di sconnessione rapida con raccordo a parete universale
11. Dischi limitatori del flusso (uno rosso e uno blu)

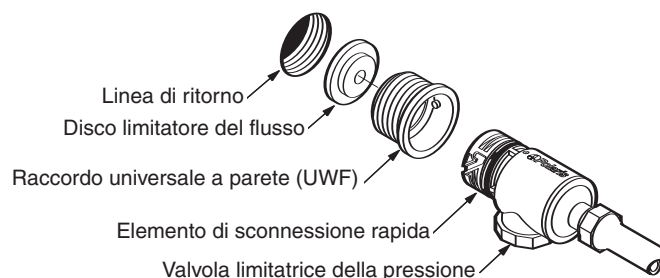


# Istruzioni per una rapida installazione

## 1 Installazione del raccordo a parete universale

Si installa nel giro di pochi minuti nelle piscine dotate di linea di ritorno dedicate per il dispositivo di pulizia e di un raccordo filettato femmina da 1 pollice e 1/2 (3,8 cm).

1. Accendere la pompa di filtraggio della piscine e lavare a fondo la tubatura. Spegnerne la pompa.
2. Rimuovere il raccordo a parete universale (UWF) dal dispositivo di sconnessione rapida e avvitarlo con il disco limitatore blu inserito nella porta di ritorno.
3. Inserire il dispositivo di sconnessione rapida nell'UWF girando in senso orario e tirare verso di sé per fissare.



## 2 Regolazione della lunghezza del tubo di alimentazione in modo che si adatti a quella della piscina

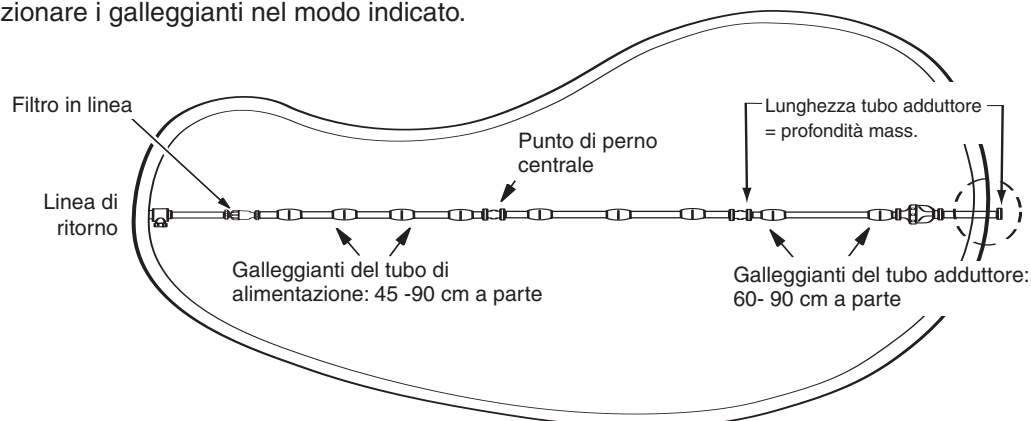
Misurare dalla parte più profonda della piscina. Tagliare il tubo adduttore dall'estremità che si collega al tubo di alimentazione, in modo che la sua lunghezza sia uguale a quella della parte più profonda della piscina.

Collegare il tubo adduttore a quello di alimentazione e quindi collegare l'insieme alla parete della piscina in corrispondenza della linea di ritorno. Estendere il tubo al punto più distante della piscina. L'estremità del tubo deve rientrare entro 15 cm, più o meno, del punto più distante. Vedere il cerchio punteggiato.

**Il tubo è troppo lungo?** Separare il tubo in corrispondenza del punto di perno. Tagliare lunghezze uguali dell'eccedenza da ognuna delle sezioni di 10 piedi (3 m).

**Il tubo è troppo corto?** Acquistare presso il rivenditore Polaris autorizzato una sezione supplementare di tubo di alimentazione (parte n. 9-100-3104), una parte di perno (parte n. D20) e due dadi da tubo (parte n. D15).

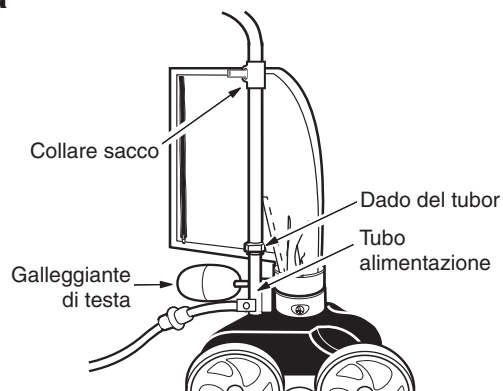
Dopo avere regolato la lunghezza del tubo flessibile, posizionare i galleggianti nel modo indicato.



# 3

## Montaggio del dispositivo di pulizia

1. Usare il dado per collegare il tubo di alimentazione alla tubatura di alimentazione.
2. Estrarre il sacco e serrare il suo cinturino sul tubo di alimentazione.
3. Sistemare il galleggiante di testa alla distanza di 1,30-2,5 cm dalla tubazione di alimentazione.
4. Accendere la pompa di filtrazione della piscina e lasciare che si adeschi prima di accendere la pompa ausiliaria.

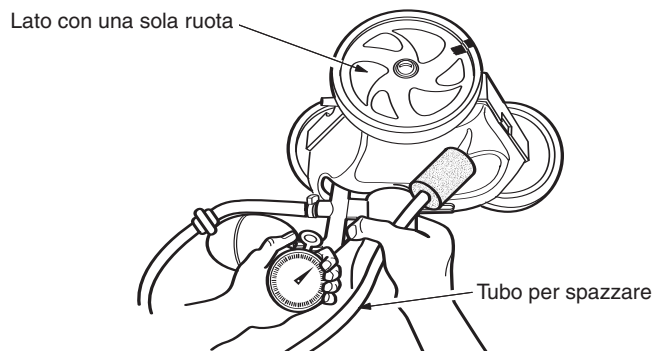


# 4

## Controllo dell'RPM delle ruote

Prima di mettere in funzione il Polaris, controllare che il numero di giri al minuto (RPM) delle ruote sia corretto. Per ottenere i risultati migliori, il Polaris deve operare con un RPM tra 28 e 32.

1. Marcare la gomma della ruota a un solo lato.
2. Accendere la pompa, tenere il dispositivo di pulizia sotto il livello dell'acqua e contare il numero di giri per la durata di un minuto.



Se il conteggio risulta **inferiore a 28**:

- Controllare il retino nel filtro in linea per verificare che non ci siano detriti che possono influire sul libero deflusso dell'acqua.
- Pulire lo skimmer, il filtro e il cestello della pompa.
- Controllare il tubo flessibile, le connessioni e gli snodi per accertarsi che non ci siano perdite.
- Togliere il disco limitatore del flusso blu dall'UWF.
- Se è stata installata una valvola a saracinesca regolabile sulla pompa ausiliaria o sulla linea del dispositivo di pulizia, aprirla completamente in modo che l'acqua fluisca liberamente nel Polaris.

Se il conteggio risulta **superiore a 32**:

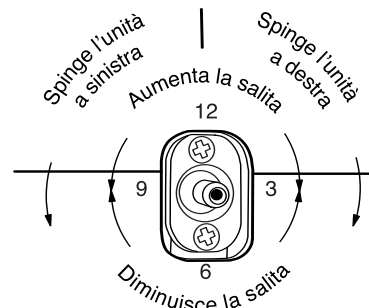
- Nel raccordo a parete universale (UWF), sostituire il disco limitatore del flusso blu con quello rosso. Se la portata è ancora troppo alta, svitare la valvola di sfogo della pressione fino a ottenere il valore di RPM giusto. Nota: la valvola di sfogo della pressione deve essere regolata solo se si è installato un limitatore di flusso.
- Se si è installata una valvola regolabile sulla pompa ausiliaria, regolarla in modo da ridurre la portata d'acqua al dispositivo di pulizia.

# Ottimizzazione della messa a punto del Polaris

Quando funziona in modo corretto, il Polaris aspira, pulisce e spazza tutta la superficie della piscina con movimento casuale. Il Polaris 280 si mette in retromarcia circa ogni 3 minuti. Ciò permette al Polaris di togliersi via da eventuali ostacoli.

## Regolazione del getto di manovra

Il getto di manovra spinge il Polaris nella sua direzione. La posizione predefinita alla fabbrica è diritto verso il retro, però altre impostazioni possono dimostrarsi più convenienti secondo la piscina.



## Regolazione del tubo flessibile di pulizia

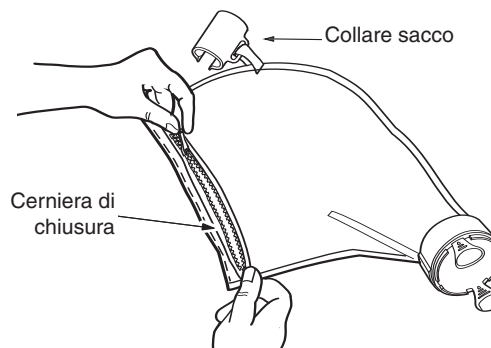
Il tubo flessibile di pulizia deve muoversi con un gentile movimento. Per regolare, spegnere la pompa ausiliaria e girare la vite di regolazione del tubo di pulizia. Girare in senso antiorario per diminuire il movimento. .

## Manutenzione regolare

### Pulizia del sacco del filtro

Rimuovere il collare del sacco dal tubo di alimentazione. Girare il connettore del sacco finché non si disimpegna con un clic dalla tubatura di alimentazione. Staccare il sacco, aprire la chiusura e scartare i detriti. Per rimontare, allineare i segni sul connettore con quelli sulla tubatura di alimentazione. Fare scattare in posizione il connettore sulla tubatura e riattaccare il collare del sacco al tubo flessibile.

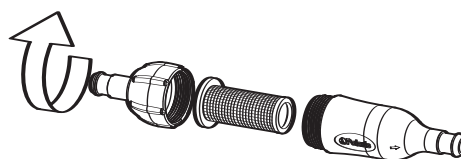
- Svuotare il sacco quando è pieno a metà, specialmente se lo sporco all'interno consiste di sabbia.
- È più facile svuotare il sacco quando è asciutto. Usare due sacchi alternandoli.



### Pulizia del filtro

Prima di pulire o lavare il filtro della piscina in controcorrente, scollegare sempre il Polaris e lasciare che il sistema di filtrazione funzioni per almeno cinque minuti prima di ricollegare il dispositivo di pulizia.

Per pulire il retino del filtro in linea, estrarlo dal gruppo del filtro, risciacquare e rimettere a posto in modo sicuro.

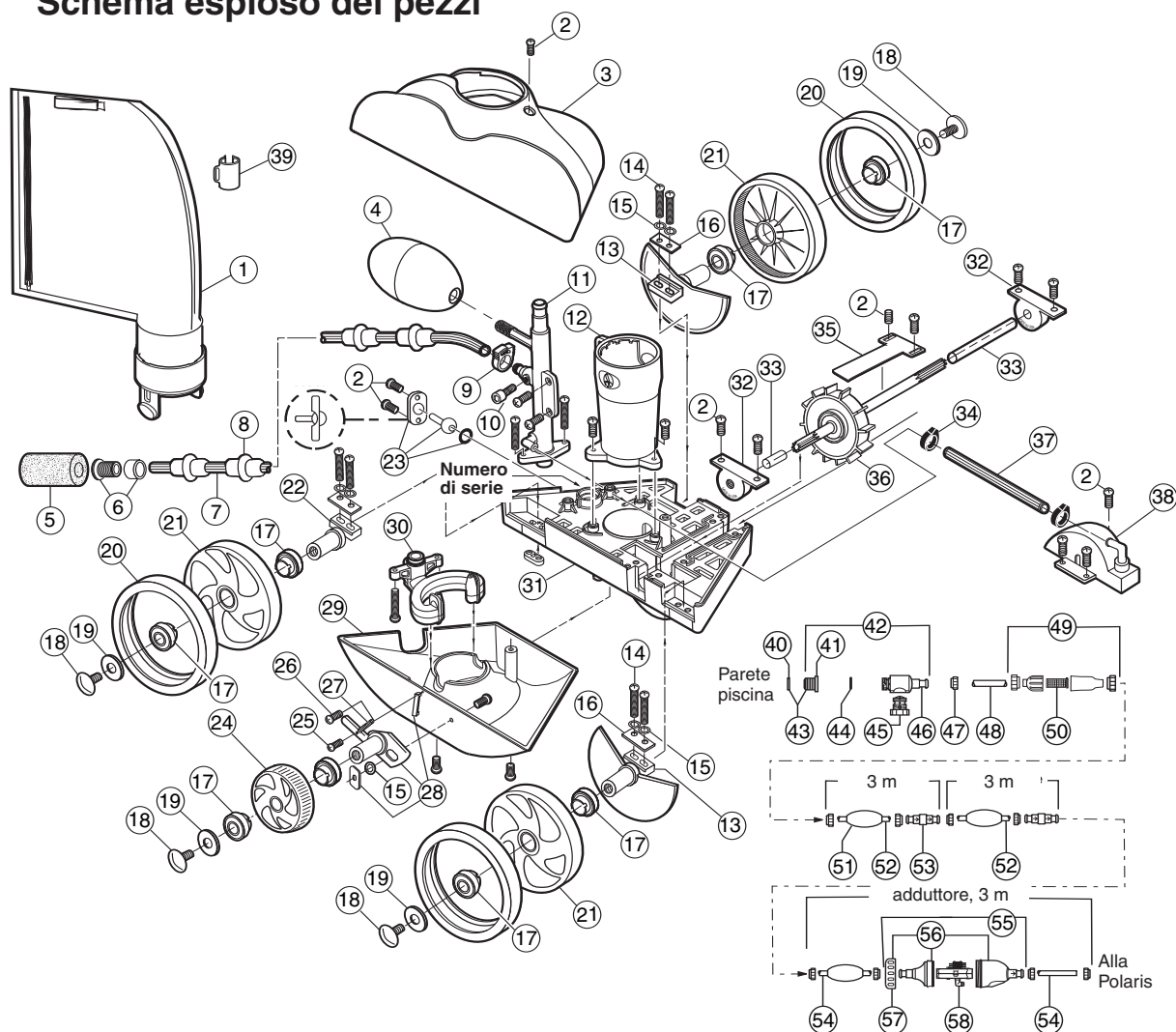


### Conservazione e preparazione per l'inverno

Non conservare mai il Polaris alla luce diretta del sole. Quando si ripone per l'inverno, togliere completamente dall'acqua (i danni dovuti al ghiaccio non sono coperti dalla garanzia). Togliere IUWF dalla parete della piscina collegando il dispositivo di sconnessione rapida e tirando per svitare. Se necessario, usare l'utensile di rimozione raccordo a parete universale (UWF) (n. parte 1-102-00) disponibile presso ogni rivenditore autorizzato Polaris.

# Polaris280

## Schema esploso dei pezzi

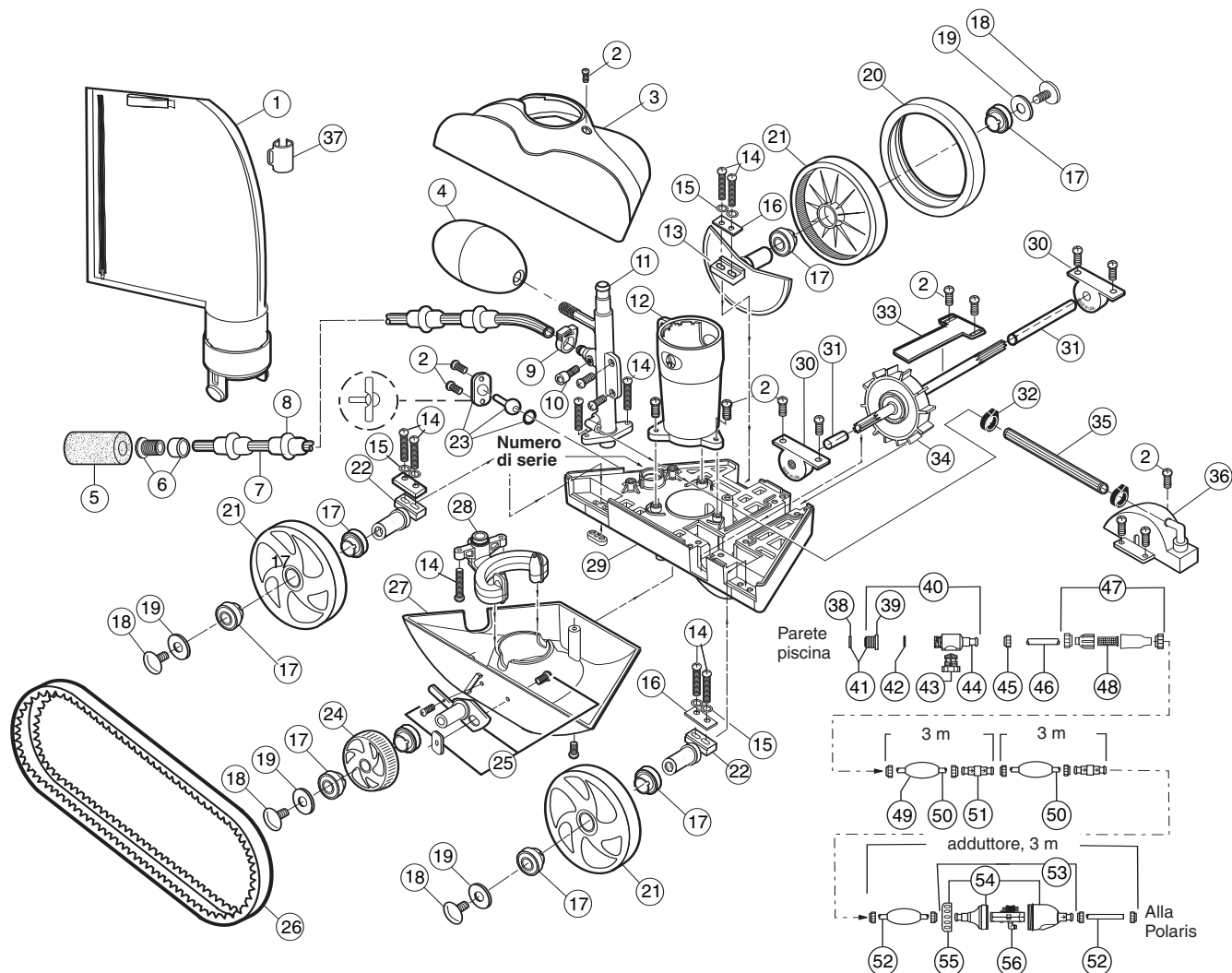


| No. | Matricola  | Descrizione                                     | Quantità | No. | Matricola  | Descrizione                          | Quantità | No. | Matricola  | Descrizione                           | Quantità |
|-----|------------|---|----------|-----|------------|--------------------------------------|----------|-----|------------|---------------------------------------|----------|
| 1   | K13        | Sacco d'impiego generale*                       | 1        | 21  | C6         | Ruota, grande (senza cuscinetto)     | 3        | 42  | 9-100-9001 | Gruppo connettore dell'UWF            | 1        |
| 2   | C40        | Vite, 10-32 x 3/8 di pollice                    | 20       | 22  | C65        | Asse, grande (solo ruota posteriore) | 1        | 43  | 10-108-00  | Kit di limitazione dell'UWF           | 1        |
| 3   | K5         | Parte superiore                                 | 1        | 23  | C131       | Kit getto di manovra                 | 1        | 44  | 6-505-00   | O-Ring, UWF/sconnessione rapida       | 1        |
| 4   | A20        | Galleggiante di testa                           | 1        | 24  | C16        | Ruota di trascinamento, piccola      | 1        | 45  | 9-100-9002 | Valvola limitatrice della pressione   | 1        |
| 5   | 9-100-3105 | Spazzola del tubo di pulizia*                   | 1        | 25  | C30        | Vite, 4-40 x 3/16 di pollice         | 1        | 46  | D29        | Dispositivo di sconnesione rapida     | 1        |
| 6   | B25        | Punta dell'orifizio con protezione              | 1        | 26  | C32        | Vite, 6-32 x 1/2 di pollice          | 1        | 47  | D15        | Dado, tubo di alimentazione           | 10       |
| 7   | B5         | Tubo di pulizia completo*                       | 1        | 27  | C25        | Molla per C36                        | 1        | 48  | **         | Tubo adattatore, 8 pollici e 1/2      | 1        |
| 8   | B10        | Anelli di consumo*                              | 8        | 28  | C36        | Kit asse di oscillazione             | 1        | 49  | 48-080     | Gruppo filtro in linea                | 1        |
| 9   | B15        | Morsetto di attacco del tubo di pulizia         | 1        | 29  | K10        | Base con staffa                      | 1        | 50  | 48-222     | Retino, filtro in linea               | 1        |
| 10  | B20        | Vite di regolazione, tubo di pulizia            | 1        | 30  | K25        | Sistema di gestione dell'acqua (WMS) | 1        | 51  | D10        | Galleggiante, tubo di alimentazione   | 9        |
| 11  | K30        | Tubo di alimentazione con gomito                | 1        | 31  | K145       | Telaio                               | 1        | 52  | D45        | Tubo di alimentazione, 3 m            | 2        |
| 12  | K20        | Tubo di aspirazione                             | 1        | 32  | C80        | Cuscinetti a sfere, turbina          | 2        | 53  | D20        | Parte girevole, cuscinetto a sfere    | 2        |
| 13  | C66        | Asse, grande (con protezione per sabbia/ghiaia) | 2        | 33  | C83        | Tubature albero turbina              | 1        | 54  | D50        | Tubo di alimentazione, adduttore, 3 m | 1        |
| 14  | C76        | Vite, 10-32 x 7/8 di pollice                    | 10       | 34  | 9-100-7170 | Morsetto tubo per WMS                | 2        | 55  | G52        | Kit valvola di rigurgito              | 1        |
| 15  | C45        | Rosetta di sicurezza per C36                    | 7        | 35  | A40        | Schermo albero turbina               | 1        | 56  | G54        | Kit astuccio per G52                  | 1        |
| 16  | C70        | Piastra dell'asse per C65/C66                   | 3        | 36  | C86        | Gruppo albero motore                 | 1        | 57  | G57        | Collare, valvola di rigurgito         | 1        |
| 17  | C60        | Cuscinetti a sfere, ruote                       | 8        | 37  | C120       | Tubo per C110, 7 pollici e 1/2       | 1        | 58  | G53        | Meccanismo per G52                    | 1        |
| 18  | C55        | Vite ruota, plastica                            | 4        | 38  | C110       | Copertura turbina con gomito         | 1        |     |            |                                       |          |
| 19  | C64        | Rosetta ruota, plastica                         | 4        | 39  | 9-100-1018 | Collare sacco                        | 1        |     |            |                                       |          |
| 20  | C10        | Pneumatico, MaxTrax*                            | 3        | 40  | 10-112-00  | Dischi restrizione, rosso e blu      | 2        |     |            |                                       |          |
|     |            |   |          | 41  | 6-500-00   | Raccordo a parete universale (UWF)   | 1        |     |            |                                       |          |

\* Gli articoli di consumo sono esclusi dalla garanzia.

# Polaris280TankTrax

## Schema esploso dei pezzi



| No. | Matricola  | Descrizione                                     | Quantità | No. | Matricola  | Descrizione                          | Quantità | No. | Matricola  | Descrizione                           | Quantità |
|-----|------------|---|----------|-----|------------|--------------------------------------|----------|-----|------------|---------------------------------------|----------|
| 1   | K13        | Sacco d'impiego generale*                       | 1        | 21  | C6         | Ruota, grande (senza cuscinetto)     | 3        | 42  | 6-505-00   | O-Ring, UWF/sconnessione rapida       | 1        |
| 2   | C40        | Vite, 10-32 x 3/8 di pollice                    | 20       | 22  | K26        | Asse, TankTrax®                      | 2        | 43  | 9-100-9002 | Valvola limitatrice della pressione   | 1        |
| 3   | K5         | Parte superiore                                 | 1        | 23  | C131       | Kit getto di manovra                 | 1        | 44  | D29        | Dispositivo di sconnessione rapida    | 1        |
| 4   | A20        | Galleggiante di testa                           | 1        | 24  | K27        | Ruota di trascinamento, TankTrax®    | 1        | 45  | D15        | Dado, tubo di alimentazione           | 10       |
| 5   | 9-100-3105 | Spazzola del tubo di pulizia*                   | 1        | 25  | K28        | Kit asse di oscillazione, TankTrax®  | 2        | 46  | **         | Tubo adattatore, 8 pollici e 1/2      | 1        |
| 6   | B25        | Punta dell'orifizio con protezione              | 1        | 26  | C18        | Pneumatico, TankTrax®*               | 1        | 47  | 48-080     | Gruppo filtro in linea                | 1        |
| 7   | B5         | Tubo di pulizia completo*                       | 1        | 27  | K29        | Base con staffa, TankTrax®           | 1        | 48  | 48-222     | Retino, filtro in linea               | 1        |
| 8   | B10        | Anelli di consumo*                              | 8        | 28  | K25        | Sistema di gestione dell'acqua (WMS) | 1        | 49  | D10        | Galleggiante, tubo di alimentazione   | 9        |
| 9   | B15        | Morsetto di attacco del tubo di pulizia         | 1        | 29  | K145       | Telaio                               | 1        | 50  | D45        | Tubo di alimentazione, 3 m            | 2        |
| 10  | B20        | Vite di regolazione, tubo di pulizia            | 1        | 30  | C80        | Cuscinetti a sfere, turbina          | 2        | 51  | D20        | Parte girevole, cuscinetto a sfere    | 2        |
| 11  | K30        | Tubo di alimentazione con gomito                | 1        | 31  | C83        | Tubature albero turbina              | 1        | 52  | D50        | Tubo di alimentazione, adduttore, 3 m | 1        |
| 12  | K20        | Tubo di aspirazione                             | 1        | 32  | 9-100-7170 | Morsetto tubo per WMS                | 2        | 53  | G52        | Kit valvola di rigurgito              | 1        |
| 13  | C66        | Asse, grande (con protezione per sabbia/ghiaia) | 1        | 33  | A40        | Schermo albero turbina               | 1        | 54  | G54        | Kit astuccio per G52                  | 1        |
| 14  | C76        | Vite, 10-32 x 7/8 di pollice                    | 10       | 34  | C86        | Gruppo albero motore                 | 1        | 55  | G57        | Collare, valvola di rigurgito         | 1        |
| 15  | C45        | Rosetta di sicurezza per C36                    | 7        | 35  | C120       | Tubo per C110, 7 pollici e 1/2       | 1        | 56  | G53        | Meccanismo per G52                    | 1        |
| 16  | C70        | Piastra dell'asse per C65/C66                   | 3        | 36  | C110       | Copertura turbina con gomito         | 1        |     |            |                                       |          |
| 17  | C60        | Cuscinetti a sfere, ruote                       | 8        | 37  | 9-100-1018 | Collare sacco                        | 2        |     |            |                                       |          |
| 18  | C55        | Vite ruota, plastica                            | 4        | 38  | 10-112-00  | Dischi restrizione, rosso e blu      | 2        |     |            |                                       |          |
| 19  | C64        | Rosetta ruota, plastica                         | 4        | 39  | 6-500-00   | Raccordo a parete universale (UWF)   | 1        |     |            |                                       |          |
| 20  | C10        | Pneumatico, MaxTrax®*                           | 1        | 40  | 9-100-9001 | Gruppo connettore dell'UWF           | 1        |     |            |                                       |          |
|     |            |   |          | 41  | 10-108-00  | Kit di limitazione dell'UWF          | 1        |     |            |                                       |          |

\* Gli articoli di consumo sono esclusi dalla garanzia.



## Individuazione e soluzione dei problemi

Se il dispositivo di pulizia Polaris presenta spesso un numero qualsiasi dei sintomi seguenti, può rendersi necessario eseguire delle regolazioni per ripristinare le prestazioni. Per riferimento, vedere lo schema esplosivo dei pezzi.

**Azione: si ferma contro un gradino o altro ostacolo per più di 3 minuti.**

- Soluzione:
1. Controllare l'RPM.
  2. Verificare che la valvola di rigurgito funzioni.
  3. Regolare il getto di manovra.
  4. Togliere dalla piscina tutti gli oggetti estranei o installare un kit di protezione scaletta (ordinare la parte n. G21 presso il rivenditore Polaris).

**Azione: I Polaris è lento e si muove con meno potenza del solito.**

- Soluzione:
1. Controllare il retino nel gruppo del filtro in linea e pulire se necessario.
  2. Pulire il cesto dello skimmer, quello della pompa e il filtro della piscina.
  3. Controllare tutti i tubi flessibili, le connessioni e gli snodi per accertarsi che non ci siano perdite che potrebbero causare una perdita di pressione dell'acqua.
  4. Controllare l'RPM.

**Azione: il Polaris vola in giro per la piscina e/o non viene in contatto con il fondo.**

- Soluzione:
1. Controllare che il disco limitatore del flusso sia stato installato nell'UWF in modo da ridurre la portata. Oppure, installare il disco limitatore rosso per ridurre ulteriormente il flusso.
  2. Controllare l'RPM. Se l'RPM è superiore a 32, svitare la valvola limitatrice della pressione e ridurre la porta dell'acqua nel dispositivo di pulizia. Nota: la valvola di sfogo della pressione deve essere regolata solo se si è installato un limitatore di flusso.
  3. Verificare che la valvola di rigurgito funzioni. Tenere la valvola fuori dell'acqua e osservare il getto. Il getto dovrebbe uscire un momento sì e uno no.

**Azione: il Polaris non va in retromarcia.**

- Soluzione:
1. Verificare che la valvola di rigurgito funzioni.
  2. Controllare l'RPM.
  3. Svotare il sacco se è pieno.
  4. Sostituire il galleggiante di testa se ha acqua all'interno.
  5. Accertarsi che il tubo di alimentazione galleggi.

**Azione: il Polaris si gira solo in una direzione.**

- Soluzione:
1. Regolare il getto di manovra.
  2. Accertarsi che il tubo di alimentazione galleggi.

**Azione: il tubo di alimentazione si ingarbuglia.**

- Soluzione:
1. Misurare di nuovo la lunghezza del tubo per controllare che sia corretta per il tipo di piscina.
  2. Con il Polaris in funzione, controllare che gli snodi e le connessioni del tubo girino liberamente.
  3. Accertarsi che il tubo di alimentazione galleggi.
  4. Girare tutte le ruote con il Polaris spento. Le ruote devono girare tutte assieme.

**Azione: il tubo di pulizia viene succhiato nel tubo di aspirazione.**

- Soluzione:
1. Accertarsi che l'apertura all'estremità del tubo di pulizia non sia bloccata dalla spazzola.
  2. Regolare il tubo di pulizia in modo che si sposti con movimento gentile.

**Azione: il tubo di pulizia continua a spruzzare acqua fuori della piscina.**

- Soluzione:
1. Regolare la velocità del tubo di pulizia stringendo la vite di regolazione.
  2. Sostituire la spazzola del tubo di pulizia se si fosse consumata o persa.
  3. Aggiungere un peso (ordinare la parte n. B2) per impedire che il tubo di pulizia spruzzi.

**Azione: il dispositivo di pulizia non pulisce l'intera piscina.**

- Soluzione:
1. Controllare che la lunghezza del tubo sia entro 15,2 cm del punto più lontano della piscina.
  2. Per ottimizzare la casualità di spostamento, controllare che il getto di manovra sia in posizione diritta verso il retro.
  3. Tenere il dispositivo di pulizia capovolto mentre è in funzione e guardare nel tubo di aspirazione. Dovrebbero esserci due getti d'acqua uguali e distinti. Se non ci fossero, mettersi in contatto con l'Assistenza Clienti o con un Centro di Assistenza Polaris.

**Azione: il dispositivo di pulizia si sposta in circolo su di un lato.**

- Soluzione:
1. Controllare il sacco del filtro; se è pieno può appesantire troppo il dispositivo di pulizia su di un lato.
  2. Togliere il galleggiante di testa e scuoterlo. Se vi è entrata acqua, ordinare un galleggiante nuovo.
  3. Controllare i galleggianti del tubo flessibile per accertarsi che siano equidistanti.



## Informações importantes

- Antes de instalar o Polaris, assegure-se de que o filtro da piscina está limpo.
- Purgue a tubulação nova antes de instalar o Polaris.
- Não use o Polaris para retirar resíduos de argamassa de piscinas novas.
- Excepto quando medir a rotação (rpm) da roda, não mexa no Polaris durante o seu funcionamento.
- Retire sempre o Polaris antes que alguém use a piscina para nadar.
- Sempre que limpar ou retrolavar o filtro da piscina, desconecte o Polaris da parede da piscina.
- Retire sempre o Polaris da piscina antes de qualquer tratamento químico intensivo (choque).
- Depois de limpar ou retrolavar, deixe o sistema de filtro funcionar durante, pelo menos, 5 minutos antes de voltar a conectar o Polaris.

### Para contactar o serviço técnico ou a assistência ao cliente:

- Envie o cartão da garantia imediatamente.
- Assistência on-line: [www.polarispool.com](http://www.polarispool.com)
- Para entrar em contacto com a Polaris: **US and Canada**  
Customer Service  
2620 Commerce Way  
Vista, CA 92081-8438  
1-800-822-7933

### Polaris Vac-Sweep® 280 Garantia

Agradecemos a sua escolha e confiança depositada na marca Polaris Vac-Sweep 280. Este produto foi concebido, fabricado e verificado usando do maior cuidado para assegurar completa satisfação.

A garantia é válida por 2 anos a partir da data de facturação ao primeiro utilizador.

#### ATENÇÃO: UTILIZAÇÃO DO POLARIS 280 EM PISCINAS DE VINIL

Alguns padrões de revestimento de vinil são particularmente susceptíveis a um desgaste rápido da superfície ou ao desaparecimento do padrão causado por objectos que entram em contacto com a superfície de vinil, incluindo escovas de piscina, brinquedos, bóias, fontes, distribuidores flutuantes de cloro e aspiradores automáticos de piscinas. Alguns padrões de revestimento de vinil podem ficar bastante arranhados ou gastos devido à simples acção de escovar a superfície com uma escova de limpar piscinas. A tinta do acabamento do padrão também pode sair durante o processo de instalação ou quando entra em contacto com objectos na piscina. A Zodiac não assume responsabilidade nem a Garantia Limitada cobre remoções do acabamento, abrasões ou marcas no revestimento de vinil.

# Introdução

Parabéns pela aquisição do seu novo aspirador automático de piscina. Agradecemos a sua escolha do Polaris. O Polaris Vac-Sweep 280 foi concebido para funcionar de modo eficiente e seguro durante muitos anos.

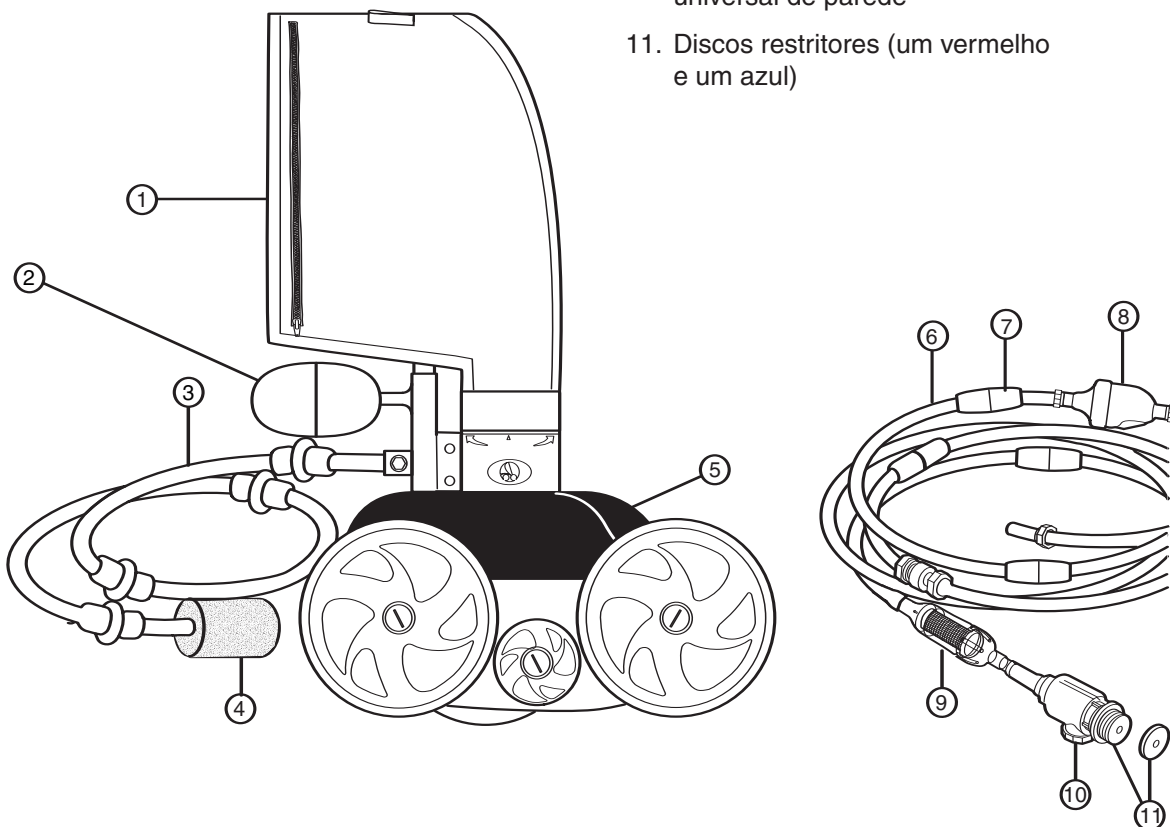
Como a maioria dos aparelhos mecânicos, o Polaris necessita de ajustes periódicos, manutenção de rotina e substituição de certas peças muito usadas. O Polaris deve ocasionalmente passar por uma revisão no distribuidor local da Polaris ou numa oficina autorizada.

Insista sempre na aplicação de peças originais Polaris. As peças não-originais da Polaris não são fabricadas de acordo com nossas especificações. Tais peças podem prejudicar o funcionamento do Polaris ou até mesmo danificá-lo.

Para se obter melhores resultados, o Polaris 280 deverá ser instalado por um profissional especializado em piscinas. Os indivíduos com experiência e destreza no que respeita a trabalhos de canalização e equipamento mecânico, poderão recorrer ao manual onde a respectiva instalação se encontra descrita.

## Aspirador completo Polaris 280

1. Saco para todo o serviço, com fecho eclipse
2. Bóia do cabeçote
3. Mangueira de aspiração
4. Escova da mangueira de aspiração
5. Corpo do aspirador
6. Mangueira de alimentação
7. Bóias da mangueira
8. Válvula de retrocesso
9. Unidade do filtro em linha
10. Desconexão rápida com conexão universal de parede
11. Discos restritores (um vermelho e um azul)

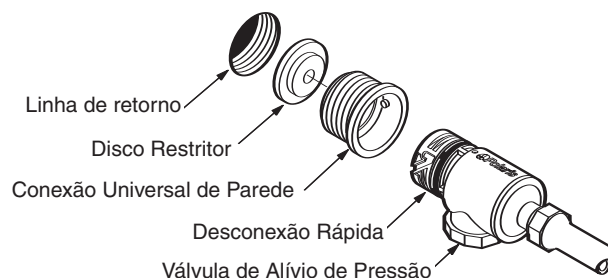


# Instruções para instalação rápida

## 1 Instale a conexão universal de parede

Pode ser instalado em poucos minutos em piscinas com uma linha exclusiva de retorno do aspirador e um encaixe de tubagem fêmea roscado de 3,8 cm (1,5 pol.).

1. Ligue a bomba de filtragem da piscina e purgue a canalização. Desligue a bomba.
2. Retire a conexão universal de parede da desconexão rápida e enrosque a conexão universal de parede com o disco restritor na abertura de retorno.
3. Rode a desconexão rápida no sentido dos ponteiros dum relógio dentro da conexão universal e puxe para fora para prender a conexão.



## 2 Ajuste a mangueira de alimentação de acordo com o comprimento da piscina

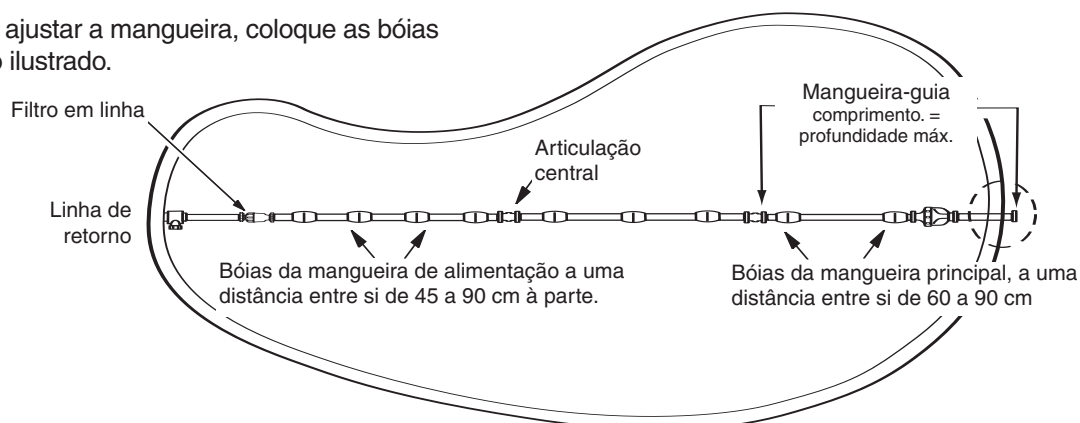
Meça a parte mais funda da piscina. Corte a mangueira-guia, na extremidade que se conecta à mangueira de alimentação, de maneira que o comprimento seja igual à maior profundidade da piscina.

Conecte a mangueira-guia à mangueira de alimentação e conecte a mangueira à parede da piscina na linha de retorno. Estenda a mangueira até ao ponto mais afastado da piscina. A extremidade da mangueira deve ficar a 15 cm – um pouco mais comprida ou mais curta – do ponto mais afastado. Veja o círculo pontilhado.

**Mangueira comprida demais?** Separe a mangueira na articulação central. Corte montantes iguais do excesso de cada uma das secções da mangueira de 3 m.

**Mangueira curta demais?** Adquira uma secção de mangueira de alimentação adicional (peça nº 9-100-3104), uma articulação (peça nº D20) e duas porcas de mangueira (peça nº D15) através de um revendedor autorizado Polaris.

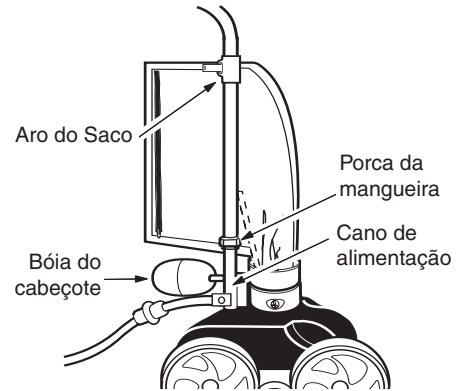
Após ajustar a mangueira, coloque as bóias como ilustrado.



# 3

## Monte o aspirador

1. Use a porca para prender amangueira de alimentação ao cano de alimentação.
2. Retire o saco e prenda o aro do saco ao cano de alimentação.
3. Posicione a bóia do cabeçote a uma distância de 1,30 cm a 2,5 cm do cano de alimentação.
4. Ligue a bomba de filtração da piscina e aguarde que encha antes de ligar a bomba auxiliar.

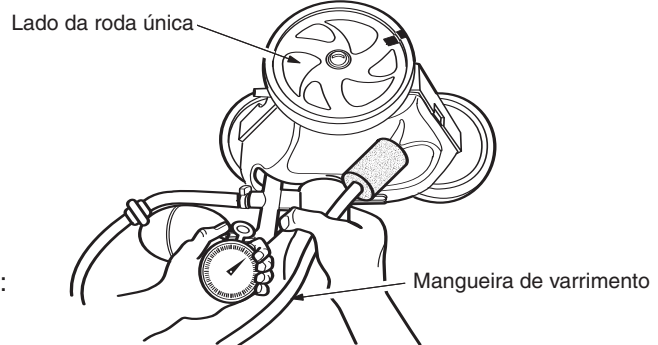


# 4

## Verifique se a rotação da roda (rpm) está correcta

Antes de usar o Polaris, verifique se o ajuste de rotações por minuto (rpm) da roda está correcto. Para obter a máxima eficiência, o Polaris deve funcionar entre 28 e 32 rpm.

1. Marque a roda de um único lado.
2. Ligue a bomba, mantenha o aspirador submerso na água e conte as rotações da roda durante um minuto.



Se a contagem for **inferior a 28 rpm**:

- Examine o crivo do filtro do filtro em linha para detectar a possível existência de detritos que bloqueiam o fluxo de água.
- Limpe o skimmer, o filtro e o cesto da bomba.
- Examine as mangueiras, conexões e articulações para detectar possíveis vazamentos.
- Retire o disco restritor azul da conexão universal de parede.
- Se for instalada uma válvula de passagem na bomba auxiliar ou na linha do aspirador, abra-a completamente para que a água possa fluir livremente para o Polaris.

Se a contagem for **superior a 32 RPM**:

- Substitua o disco azul de redução de caudal pelo disco vermelho de redução de caudal, dentro da união universal à parede. Se o caudal ainda for demasiado alto, desenrosque a válvula de alívio de pressão até que se atinjam as RPM correctas. Nota: A válvula de alívio de pressão só deverá ser regulada se estiver instalado nela um disco de redução de caudal.
- Se for instalada uma válvula regulável na bomba impulsora, regule-a para reduzir o caudal de água para o elemento de limpeza.

## Regular o aspirador Polaris

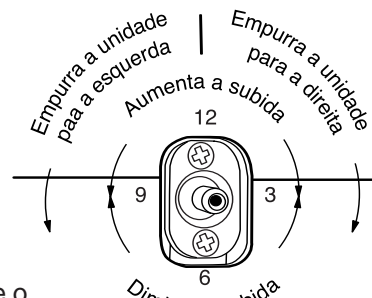
O Polaris aspira, varre e escova as superfícies, aleatoriamente, de toda a piscina quando está a funcionar correctamente. Aproximadamente cada três minutos, o Polaris 280 entra no modo de recuo. Isto faz com que o Polaris se afaste de obstáculos na piscina.

### Ajuste do jacto de impulso

O jacto de impulso activa a direcção do Polaris. A posição definida de fábrica é a central mas, dependendo da configuração da piscina, podem-se adoptar outras posições mais adequadas.

### Ajuste da mangueira do aspirador

A mangueira do aspirador deve ter um movimento de varredura suave. Para fazer a regulação, desligue a bomba impulsora e rode o parafuso de regulação da mangueira de limpeza. Rode no sentido dos ponteiros do relógio para reduzir o movimento.

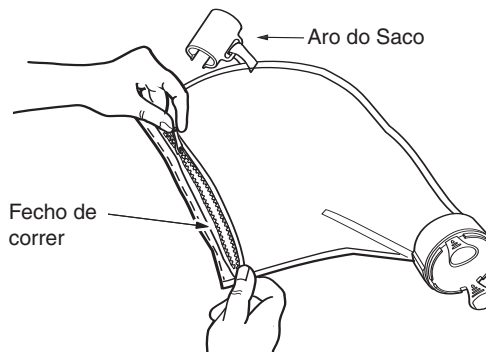


## Manutenção de rotina

### Limpeza do saco do filtro

Retire da mangueira de alimentação o anel que prende o saco. Torça a união do saco até que se solte com um estalido audível da mangueira de alimentação. Puxe o saco para fora, abra o fecho e deite fora os detritos. Para voltar a instalar, alinhe as marcas na união e no tubo de alimentação. Encaixe a união no tubo na posição apropriada e volte a ligar o anel do saco à mangueira.

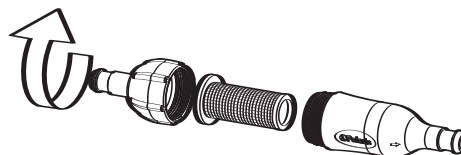
- Esvazie o saco quando estiver meio cheio, especialmente se estiver carregado de areia.
- É mais fácil esvaziar o saco quando estiver seco. Use dois sacos alternadamente.



### Limpeza do filtro

Desligue sempre o Polaris antes de limpar ou de aplicar água à pressão no filtro da piscina em sentido inverso ao do caudal normal, e depois deixe funcionar o sistema de filtragem durante pelo menos cinco minutos antes de o voltar a ligar ao aparelho de limpeza.

Para limpar a grelha filtrante que está em linha, retire-a do conjunto do filtro, lave-a com água e coloque-a de novo no seu lugar carregando nela com força.



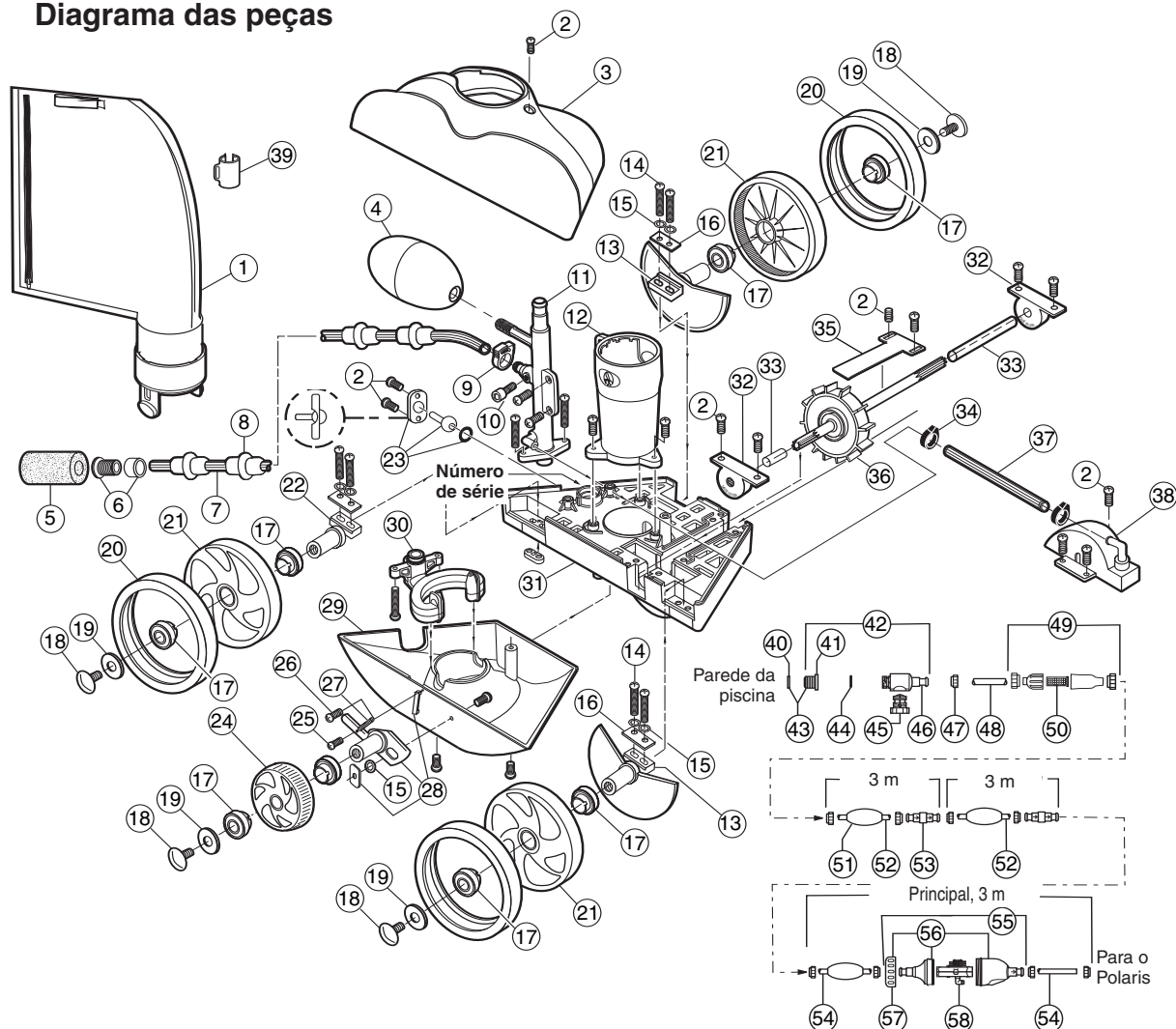
### Armazenagem e preparação para o Inverno

Nunca guarde o Polaris sob luz solar directa. Quando proceder à armazenagem durante o período de Inverno, drene toda a água (os danos causados por congelamento não são cobertos pela garantia). Retire a conexão universal da parede da piscina ao ligar a desconexão rápida e aplicando pressão para dentro para desenroscar. Se for necessário use a ferramenta de remoção da união universal de parede (peça No.10-102-00) disponível em qualquer representante autorizado Polaris.



# Polaris280

## Diagrama das peças

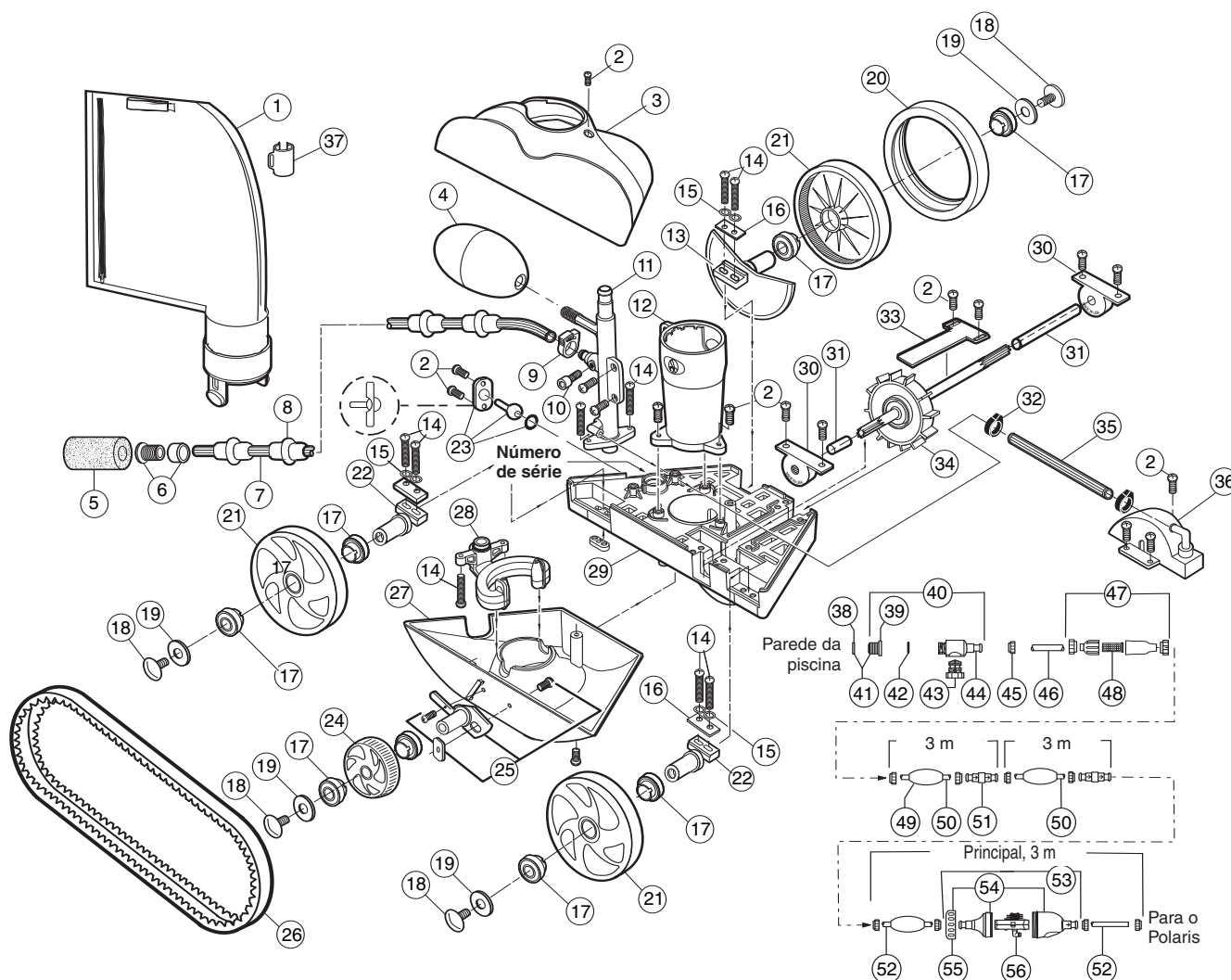


| No. | Peça no.   | Descrição   | Quant. | No. | Peça no.   | Descrição                           | Quant. | No. | Peça no.   | Descrição                                | Quant. |
|-----|------------|---|--------|-----|------------|-------------------------------------|--------|-----|------------|--|--------|
| 1   | K13        | Saco Multiuso*                                      | 1      | 19  | C64        | Anilha da Roda, Plástico            | 4      | 39  | 9-100-1018 | Aro do Saco                              | 1      |
| 2   | C40        | Parafuso, 10-32 x 3/8 de pol                        | 20     | 20  | C10        | Pneu, MaxTrax**                     | 3      | 40  | 10-112-00  | Discos Restritores da CUP                | 2      |
| 3   | K5         | Topo  | 1      | 21  | C6         | Roda, Grande (Rolamentos Não Incl.) | 3      | 41  | 6-500-00   | Conexão Universal de Parede (CUP)        | 1      |
| 4   | A20        | Bóia, Cabeçote                                      | 1      | 22  | C65        | Eixo, Grande (Apenas Roda Traseira) | 1      | 42  | 9-100-9001 | Unidade do Conector da CUP               | 1      |
| 5   | 9-100-3105 | Esfregão da Mangueira de Varredura*                 | 1      | 23  | C131       | Conjunto do Jacto Impulsor          | 1      | 43  | 10-108-00  | Kit Restritor da CUP                     | 1      |
| 6   | B25        | Ponta do Orifício c/Protecção da Ponta do Orifício  | 1      | 24  | C16        | Roda Intermediária, Pequena         | 1      | 44  | 6-505-00   | Anel em O <sub>2</sub> , CUP/DR          | 1      |
| 7   | B5         | Mangueira de Varredura Completa*1                   | 1      | 25  | C30        | Parafuso, 4-40 x 3/16 de pol.       | 1      | 45  | 9-100-9002 | Válvula de Alívio de Pressão, Preta      | 1      |
| 8   | B10        | Anilhas de Desgaste*                                | 8      | 26  | C32        | Parafuso, 6-32 x 0,5 de pol.        | 1      | 46  | D29        | Desconexão Rápida, CUP                   | 1      |
| 9   | B15        | Grampo de Fixação da Mangueira de Varredura         | 1      | 27  | C25        | Mola para C36                       | 1      | 47  | D15        | Porca, Mangueira de Alimentação          | 10     |
| 10  | B20        | Parafuso de Ajustamento, Mangueira de Varredura     | 1      | 28  | C36        | Conjunto do Eixo Pendular           | 1      | 48  | **         | Mangueira de Adaptador, 21,6 cm          | 1      |
| 11  | K30        | Cano de Alimentação com Cotovelo                    | 1      | 29  | K10        | Base com Suporte                    | 1      | 49  | 48-080     | Unidade do filtro em linha               | 1      |
| 12  | K20        | Tubo de Vácuo                                       | 1      | 30  | K25        | Sistema de Gestão da Água (SGA)     | 1      | 50  | 48-222     | Crivo do filtro em linha                 | 1      |
| 13  | C66        | Eixo, Grande (c/protecção contra areia fina/grossa) | 2      | 31  | K145       | Estrutura                           | 1      | 51  | D10        | Bóia, Mangueira de Alimentação           | 9      |
| 14  | C76        | Parafuso, 10-32 x 7/8 de pol.                       | 10     | 32  | C80        | Rolamentos de Esferas, Turbina      | 2      | 52  | D45        | Mangueira de Alimentação, 3 m            | 2      |
| 15  | C45        | Anilha de Pressão para C36                          | 7      | 33  | C83        | Tubos do Eixo da Turbina            | 1      | 53  | D20        | Articulação, Rolamento de Esfera         | 2      |
| 16  | C70        | Placa do Eixo para C65/C66                          | 3      | 34  | 9-100-7170 | Grampo da Mangueira para SGA        | 2      | 54  | D50        | Mangueira de Alimentação, principal, 3 m | 1      |
| 17  | C60        | Rolamentos de Esferas, Rodas                        | 8      | 35  | A40        | Protecção do Eixo da Turbina        | 1      | 55  | G52        | Kit da Válvula de Retrocesso             | 1      |
| 18  | C55        | Parafuso da Roda, Plástico                          | 4      | 36  | C86        | Unidade do Eixo de Transmissão      | 1      | 56  | G54        | CKit da Caixa para G52                   | 1      |
|     |            |   |        | 37  | C120       | Mangueira para C110, 19 cm          | 1      | 57  | G57        | Aro, Válvula de Retrocesso               | 1      |
|     |            |   |        | 38  | C110       | Cobertura da Turbina com Cotovelo   | 1      | 58  | G53        | Mecanismo para G52                       | 1      |

\* Os elementos sujeitos a desgaste não estão cobertos pela garantia.

# Polaris280TankTrax

## Diagrama das peças



| No. | Peça no.   | Descrição   | Quant. | No. | Peça no.   | Descrição                             | Quant | No. | Peça no.   | Descrição                                | Quant |
|-----|------------|---|--------|-----|------------|---------------------------------------|-------|-----|------------|--|-------|
| 1   | K13        | Saco Multiuso*                                      | 1      | 19  | C64        | Anilha da Roda, Plástico              | 4     | 39  | 6-500-00   | Conexão Universal de Parede (CUP)        | 1     |
| 2   | C40        | Parafuso, 10-32 x 3/8 de pol                        | 20     | 20  | C10        | Pneu, MaxTrax**                       | 1     | 40  | 9-100-9001 | Unidade do Conector da CUP               | 1     |
| 3   | K5         | Topo  | 1      | 21  | C6         | Roda, Grande (Rolamentos Não Incl.)   | 3     | 41  | 10-108-00  | Kit Restritor da CUP                     | 1     |
| 4   | A20        | Bóia, Cabeçote                                      | 1      | 22  | K26        | Eixo, TankTrax®                       | 1     | 42  | 6-505-00   | Anel em O, CUP/DR                        | 1     |
| 5   | 9-100-3105 | Esfregão da Mangueira de Varredura*                 | 1      | 23  | C131       | Conjunto do Jacto Impulsor            | 1     | 43  | 9-100-9002 | Válvula de Alívio de Pressão, Preta      | 1     |
| 6   | B25        | Ponta do Orifício c/Protecção da Ponta do Orifício  | 1      | 24  | K27        | Roda Intermediária - TankTrax®        | 1     | 44  | D29        | Desconexão Rápida, CUP                   | 1     |
| 7   | B5         | Mangueira de Varredura Completa*1                   | 1      | 25  | K28        | Conjunto do Eixo Pendular - TankTrax® | 1     | 45  | D15        | Porca, Mangueira de Alimentação          | 10    |
| 8   | B10        | Anilhas de Desgaste*                                | 8      | 26  | C18        | Pneu, TankTrax**                      | 1     | 46  | **         | Mangueira de Adaptador, 21,6 cm          | 1     |
| 9   | B15        | Grampo de Fixação da Mangueira de Varredura         | 1      | 27  | K29        | Base com Suporte - TankTrax®          | 1     | 47  | 48-080     | Unidade do filtro em linha               | 1     |
| 10  | B20        | Parafuso de Ajustamento, Mangueira de Varredura     | 1      | 28  | K25        | Sistema de Gestão da Água (SGA)       | 1     | 48  | 48-222     | Crivo do filtro em linha                 | 1     |
| 11  | K30        | Cano de Alimentação com Cotovelo                    | 1      | 29  | K145       | Estrutura                             | 1     | 49  | D10        | Bóia, Mangueira de Alimentação           | 9     |
| 12  | K20        | Tubo de Vácuo                                       | 1      | 30  | C80        | Rolamentos de Esferas, Turbina        | 2     | 50  | D45        | Mangueira de Alimentação, 3 m            | 2     |
| 13  | C66        | Eixo, Grande (c/protecção contra areia fina/grossa) | 1      | 31  | C83        | Tubos do Eixo da Turbina              | 1     | 51  | D20        | Articulação, Rolamento de Esfera         | 2     |
| 14  | C76        | Parafuso, 10-32 x 7/8 de pol.                       | 10     | 32  | 9-100-7170 | Grampo da Mangueira para SGA          | 2     | 52  | D50        | Mangueira de Alimentação, principal, 3 m | 1     |
| 15  | C45        | Anilha de Pressão para C36                          | 7      | 33  | A40        | Protecção do Eixo da Turbina          | 1     | 53  | G52        | Kit da Válvula de Retrocesso             | 1     |
| 16  | C70        | Placa do Eixo para C65/C66                          | 3      | 34  | C86        | Unidade do Eixo de Transmissão        | 1     | 54  | G54        | CKit da Caixa para G52                   | 1     |
| 17  | C60        | Rolamentos de Esferas, Rodas                        | 8      | 35  | C120       | Mangueira para C110, 19 cm            | 1     | 55  | G57        | Aro, Válvula de Retrocesso               | 1     |
| 18  | C55        | Parafuso da Roda, Plástico                          | 4      | 36  | C110       | Cobertura da Turbina com Cotovelo     | 1     | 56  | G53        | Mecanismo para G52                       | 1     |
|     |            |   |        | 37  | 9-100-1018 | Aro do Saco                           | 1     |     |            |  |       |
|     |            |   |        | 38  | 10-112-00  | Discos Restritores da CUP             | 2     |     |            |  |       |

\* Os elementos sujeitos a desgaste não estão cobertos pela garantia.

## Identificação e correcção de problemas

Se o aspirador Polaris apresentar frequentemente algumas das seguintes acções, é necessário fazer alguns ajustes para restabelecer o funcionamento correcto. Consulte o diagrama de peças (vista explodida) para obter as referências das peças.

**Acção: Fica pendurado nos degraus ou em outros obstáculos por mais de 3 minutos.**

- Solução:
1. Verifique a rotação (rpm) da roda.
  2. Verifique se a válvula de retrocesso está a funcionar.
  3. Ajuste o jacto de impulso.
  4. Retire todas as ferragens desnecessárias da piscina ou instale o Kit de Protecção de Escada (encomende a peça nº G21 junto a um distribuidor Polaris).

**Acção: O Polaris está lento, funcionando com menos força do que o normal.**

- Solução:
1. Examine o crivo do filtro no filtro em linha e limpe se for necessário.
  2. Limpe o cesto do skimmer, o cesto da bomba e o filtro da piscina.
  3. Examine todas as mangueiras, conexões e articulações para detectar possíveis vazamentos que possam causar perda de pressão da água.
  4. Verifique a rotação (rpm) da roda.

**Acção: O Polaris precipita-se por toda a piscina e/ou não entra em contacto com o fundo.**

- Solução:
1. Verifique se o disco restritor azul está instalado na conexão universal de parede para reduzir o fluxo de água. Ou, instale o disco restritor vermelho para reduzir o fluxo de água ainda mais.
  2. Verifique a rotação (rpm) da roda. Se superior a 32 rpm, desenrosque a válvula de alívio da pressão para reduzir o fluxo de água que vai ao aspirador. Nota: A válvula de alívio de pressão só deverá ser regulada se estiver instalado nela um disco de redução de caudal.
  3. Verifique se a válvula de retrocesso está a funcionar. Mantenha a válvula fora da água e observe o jacto. O jacto deverá activar e parar.

**Acção: O Polaris não recua.**

- Solução:
1. Verifique se a válvula de retrocesso está a funcionar.
  2. Verifique a rotação (rpm) da roda.
  3. Se o saco estiver cheio, esvazie-o.
  4. Se a bóia do cabeçote contiver água, substitua a bóia.
  5. Certifique-se de que a mangueira de alimentação está a flutuar.

**Acção: O Polaris só se desvia numa direcção.**

- Solução:
1. Ajuste o jacto de impulso.
  2. Certifique-se de que a mangueira de alimentação está a flutuar.

**Acção:** **A mangueira de alimentação fica emaranhada.**

- Solução:
1. Meça a mangueira novamente para ver se corresponde ao comprimento adequado à configuração da piscina.
  2. Com o Polaris a funcionar, verifique se as articulações da mangueira e as respectivas conexões rodam livremente.
  3. Certifique-se de que a mangueira de alimentação está a flutuar.
  4. Com o Polaris desligado, gire cada uma das rodas. Todas as rodas devem rodar juntas.

**Acção:** **A mangueira do aspirador é aspirada para dentro do tubo.**

- Solução:
1. Certifique-se de que a abertura na extremidade da mangueira do aspirador não esteja bloqueada pela escova da mangueira do aspirador.
  2. Ajuste a mangueira do aspirador para que oferecer um movimento de varredura suave.

**Acção:** **A mangueira do aspirador salpica água para fora da piscina constantemente.**

- Solução:
1. Regule a velocidade da mangueira do aspirador apertando o parafuso de ajuste.
  2. Substitua a escova da mangueira do aspirador se estiver gasta ou ausente.
  3. Coloque um peso na mangueira do aspirador (encomende a peça nº B2) para impedir que a mangueira do aspirador salpique água.

**Acção:** **O aspirador não limpa toda a piscina.**

- Solução:
1. Verifique se o comprimento da mangueira alcança até 15,2 cm do ponto mais distante da piscina.
  2. Verifique se o jacto de impulso se encontra na posição central a qual optimiza a rotação aleatória.
  3. Enquanto o aspirador estiver a funcionar, inverta-o, de baixo para cima, no tubo de aspiração. Deverão ser observados dois jactos de água distintos e uniformes. Se tal não acontecer, contacte o Serviço de Assistência ao Cliente, ou um Centro de Serviço autorizado da Polaris para obter assistência.

**Acção:** **O aspirador gira em círculos sobre a sua parte lateral.**

- Solution
1. Verifique o saco do filtro; se estiver cheio pode estar a exercer peso sobre o aspirador, fazendo com que este se desequilibre sobre uma das partes laterais.
  2. Retire a bóia do cabeçote e sacuda-a. Se houver água na bóia, encomende uma nova.
  3. Examine as bóias da mangueira para se assegurar que se encontram espaçadas uniformemente.





**EC DECLARATION OF CONFORMITY**

Manufacturer                      The Products are manufactured and marked with **CE** by:

---

Zodiac Pool Care, Inc. ("Zodiac")  
2620 Commerce Way  
Vista, CA 92081-8438 USA  
Telephone: 760-599-9600  
Facsimile: 760-597-1239  
E-mail:            polaris@zpc.zodiac.com

Products                              The Products Declared herein are:

---

Polaris Vac-Sweep® 280

Directives                            The Products are in conformity with the following Directives:

---

Machinery Safety Directive 98/37/EC

Specifications                        The Products also comply with the following international and harmonized  
domestic standards:

---

None. There are no known standards for swimming pool cleaning equipment.

**Declaration**

---

I hereby declare that the equipment named above has been designed to comply with the relevant sections of the above referenced specifications. The unit complies with all essential requirements of the directives. I declare under sole responsibility that the foregoing information is true and correct.

*David Peterson*

*12-Sep-02*

David Peterson, Vice President Engineering

Date





**Your pool. Our reputation.**

2620 Commerce Way, Vista, CA 92081-8438 • 760-599-9600 • 1-800-822-7933

[www.polarispool.com](http://www.polarispool.com)