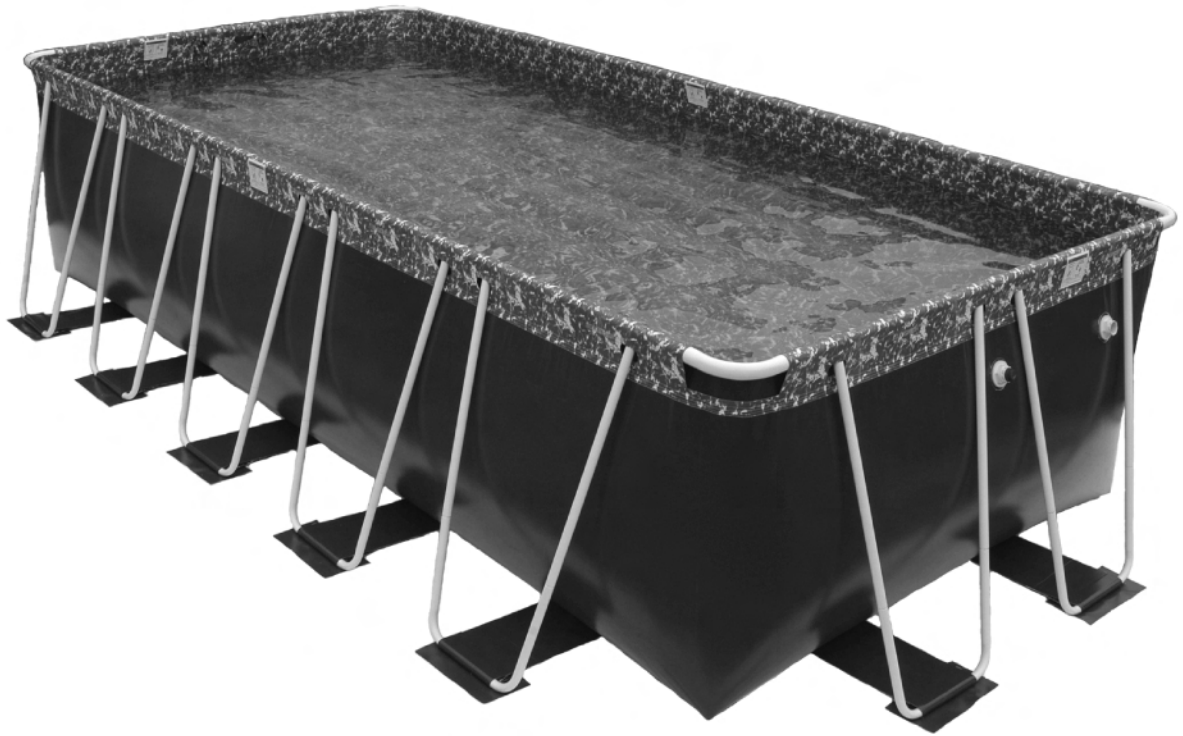


**Important**  
**Read this guide before Assembling**



**Soft Sided Pool Assembly Guide**

***FAMILY FUN FOR EVERYONE***

# Index

Cover .....	Page 1
Index .....	Page 2
Preparing the Ground .....	Page 3
Parts List & Specs .....	Page 4
Round Pool Assembly	
Steps 1 - 9 .....	Page 5
Steps 10 - 12 .....	Page 6
Disassembling the pool .....	Page 6
Rectangular Pool Assembly	
Steps 1 - 6 .....	Page 7
Steps 7 - 8 .....	Page 8
Disassembling the pool .....	Page 6

## Important - Please read

- 1- Make sure you do not install your pool under electrical lines.
- 2- Always use a GFI outdoor protected receptacle to plug your pool equipment into
- 3- Never leave pool assembled without water
- 4- Never assemble pool when ground is off level
- 5- Never assemble pool on soft or unstable ground
- 6- Never try to make one end deeper on pool floor. The liner does not stretch
- 7- Never overfill pool
- 8- Never let pool go unfiltered for any long period of time (No more than 24 hours)
- 9- Never try to assemble the pool on a windy day (wind in excess of 20 MPH)
- 10- Never assemble pool on Nut Grass
- 11- Never assemble pool with out proper concrete or pressure treated support base as shown in assembly guide.
- 12- Never drag the pool liner across abrasive surfaces like asphalt or concrete

**PLEASE NOTE:** It is normal for the rectangle pool to show some deflection of the top rails inward while the pool is filling. Once the pool has filled completely, the deflection of the top rail may be slightly outward. This is common and will not effect the structural integrity of your pool.



**WARNING:**  
Never jump or dive into pool.  
Horseplay of any kind in pool  
may result in spinal or fatal injury.  
Adult supervision is required at all times.



# Preparing the Ground

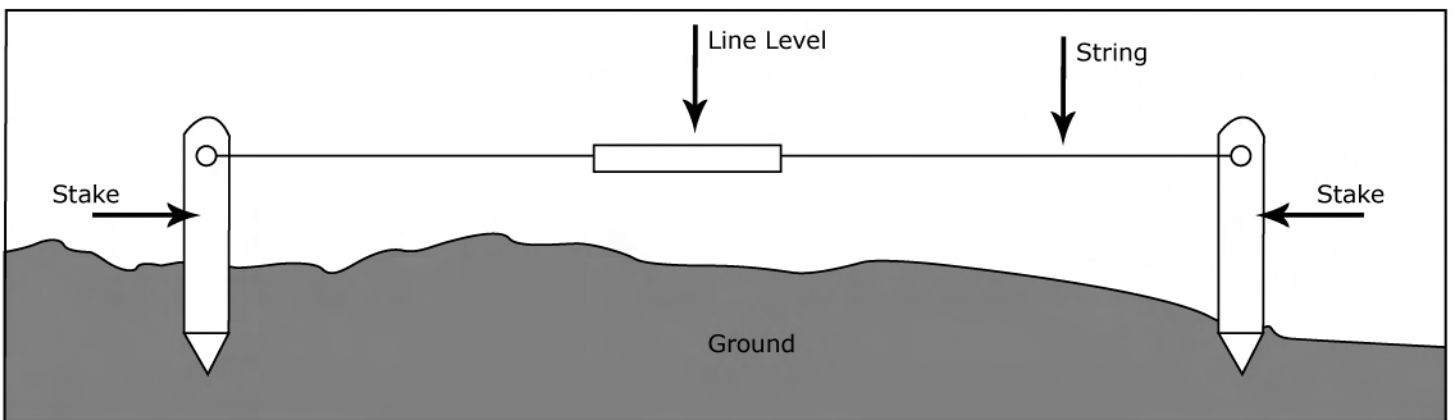
## A. POOL SIZE / SPACE REQUIRED.

It is recommended to allow an additional 18" of space around the perimeter of your portable pool. For example: a 9' x 19' rectangle pool should have an area of 12' x 22'. The larger dimension (12' x 22') is referred to as "Foot Print". For the round pool, the "Foot Print" is approximately one foot larger than the actual size of the pool, due to the low profile of the framework.

A 16' round pool would need an 17' "Foot Print".

## B. HOW DO I FIND LEVEL?

It is important that your pool be placed on level ground. Though your pool can tolerate being slightly out of level, it is best for proper filtration, as well as visual concern, to have your pool as level as possible. Here is a simple way how to find level ground.



### You will need:

- **Two** small wooden stakes
- Length of string, two feet longer than longest dimension of pool
- **One** "Line Level" (Can be purchased at any hardware store for about \$1.50)

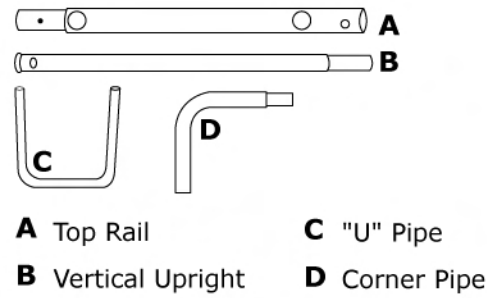
1. Simply set one stake into the ground at one end of where the pool will be, and the other stake at the other end.
2. Tie the string stretched between both stakes, making sure it is stretched tight.
3. Now set the line level in approximately the center of the string.
4. Tap either stake further into the ground to level the string at both ends.
5. Now measure the distance from the ground to the string at both ends. If one measurement is 5" at one stake, and 7" at the other stake, then you are only 2" out of level.

**C. Surface Preparation.** If there is grass in this area, we recommend killing foliage and removing grass prior to assembly of pool. In addition to removing grass, it is recommended to add 2 to 3 inches of washed plaster sand or Happy Bottom Pool Pad for additional protection of pool liner prior to assembly. (Happy Bottom can be purchased from your local dealer)

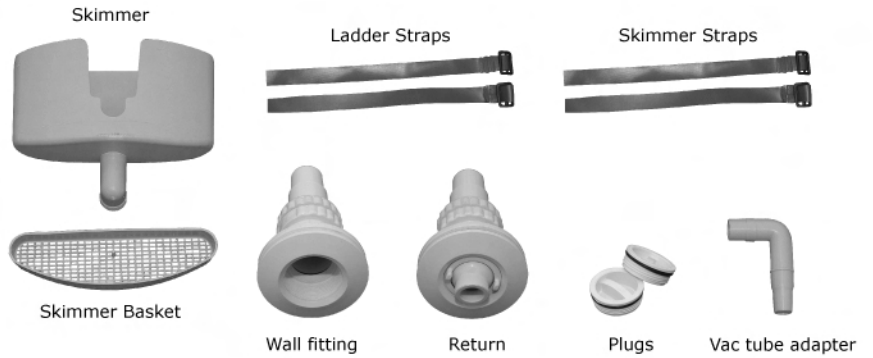
**D. We always recommend supporting the vertical uprights with concrete or pressure treated wood base. Failure to use support base may result structural failure which will not be covered by the warranty.**

# Parts list & Specs

## Rectangles

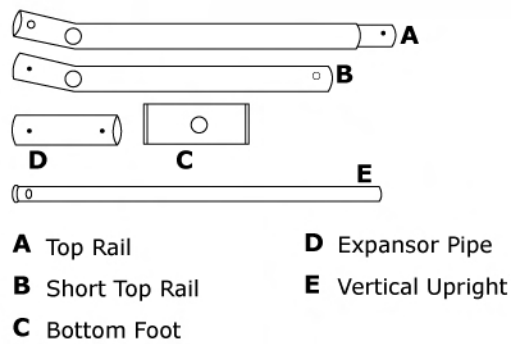


## Skimmer Parts

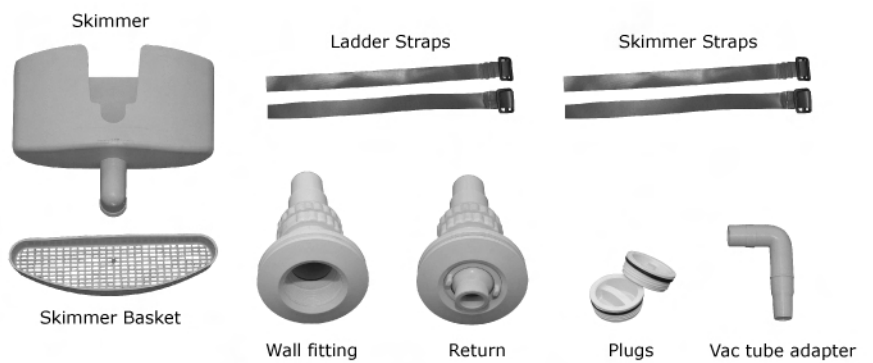


Model Size	A / Top Rail Round Pipe	B / Vertical Upright Stand Pipe	C / "U" Pipes Bottom Pipe	D / Corner Pipe	Model Size	A / Top Rail Round Pipe	B / Vertical Upright Stand Pipe	C / "U" Pipes Bottom Pipe	D / Corner Pipe
<b>1200</b>   9x19x48	14	28	14	4	<b>1320</b>   12x22x52	18	36	18	4
<b>1210</b>   9x41x48	28	56	28	4	<b>1330</b>   12x25x52	20	40	20	4
<b>1220</b>   12x22x48	18	36	18	4	<b>1350</b>   15x25x52	22	44	22	4
<b>1250</b>   15x25x48	22	44	22	4	<b>1370</b>   18x31x52	28	56	28	4
<b>1300</b>   9x19x52	14	28	14	4	<b>1380</b>   21x41x52	36	72	36	4
<b>1310</b>   9x41x52	28	56	28	4					

## Rounds



## Skimmer Parts



Model Size	A / Top Rail Round Pipe	B / Short Top Rail	C / Bottom Foot	D / Expansor Pipe	E / Vertical Upright
<b>1400</b>   12x48	11	1	12	1	12
<b>1410</b>   16x48	15	1	16	1	16
<b>1420</b>   20x48	19	1	20	1	20
<b>1500</b>   12x52	11	1	12	1	12
<b>1510</b>   16x52	15	1	16	1	16
<b>1520</b>   20x52	19	1	20	1	20
<b>1530</b>   24x52	23	1	24	1	24

# Round pool assembly

**Step. 1:** Locate the area most suited for setting up the Pool. Clear it of any sharp objects or debris and level it to zero as explained on "Preparing the Ground" page. If the pool is assembled on unlevelled ground it may suffer permanent structure warps or damage liner

**Step. 2:** Remove the liner from the box marked: "LINER" and place it at the center of the area where you plan to assemble the pool. Take care not to damage the liner when opening the box. **DO NOT USE SHARP OBJECTS TO OPEN BOX THAT CONTAINS THE LINER.**

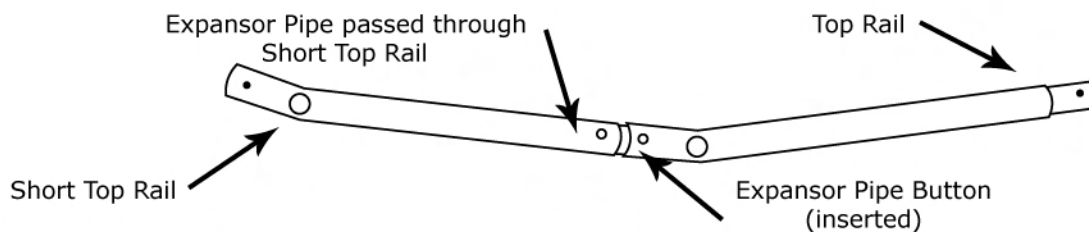
**Step. 3:** Unfold the liner. Locate the place where the pump and the filter system will be connected and position the two circular openings for an easier connection to pump and filter.

**Step. 4:** Remove the pipes from the box marked: "FRAME" and separate them into different categories, Top Rails, Vertical Uprights, Bottom Foot and Expansor.

**Step. 5:** Insert the Expansor into the Short Top Rail through the longer end, make sure you hear the first snap button clicking. Lay out the Top Rails around the pool. Locate in the sleeve of the liner the "window" or opening where the shorter Top Rail will be placed.

**Important Tip** Always start with the Short Top Rail with Expansor fully collapsed inserting into liner sleeve where round opening will allow easy access for Depressing Button in future disassembly of pool.

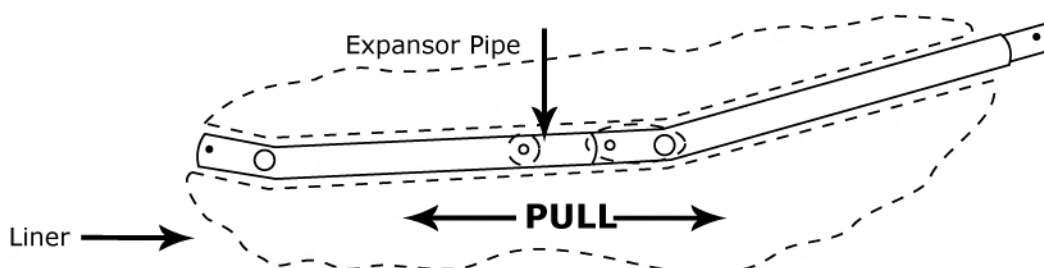
**Step. 6:** First, insert the Short top Rail into the first opening, with the Expansor already in place. Work clock-wise! Place a Top Rail into the following opening and connect it with the Expansor. Press the snap button on the Expansor through the window on the sleeve and move this Top Rail until it touches the Short Top Rail. This last pipe should cover the Expansor.



**Step. 7:** Clockwise, place a Top Rail into the following opening, and connect it Attach to the previous one. Make sure you hear "Click." Repeat this operation until you reach the pipe that you started with.

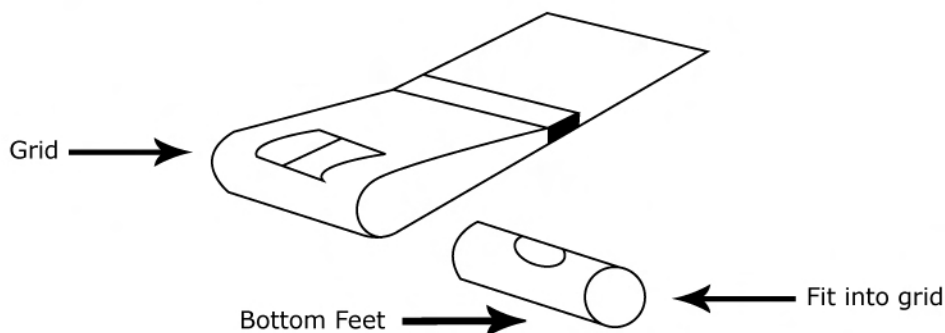
**Step. 8:** Close the structure connecting the last Top Rail with the short one which was, the first one you inserted.

**Step. 9:** Locate through the window on the sleeve the pipe, you placed first, (Short Top Rail) and first Top Rail you placed after it. Pull both rails and stretch out the Expansor until clicks.



**STEP 10:** Make sure that the openings in the sleeve are centered with the holes of the Top Rail where the Vertical Upright will be inserted.

**STEP 11:** You will need four people to lift the structure. Making a cross around the pool, place a minimum of four Vertical Uprights in the holes of the Top Rail. Upright can rest temporarily on the floor. Make sure you hear "click." With two people holding the pool from the Top Rail, extend the grids and place a bottom foot in each grid.



**STEP 12 :** Connect each Vertical Upright with the Top Rail and the Bottom Foot. Make sure you hear "click."

**Suggestion:** Once you finish with the assembling, center the container on the structure, observe the good assembling of your pool. From the moment in which you start filling the pool with water you can't correct any detail. -

#### Disassembling of the pool:

**STEP 1:** Drain pool completely.

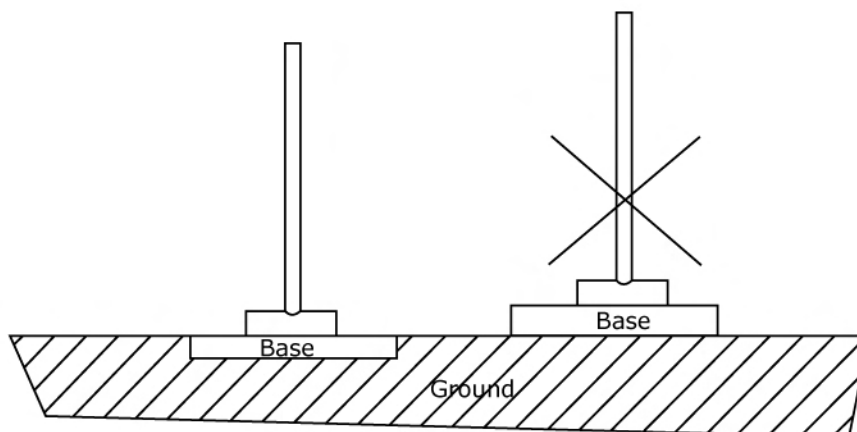
**STEP 2:** Remove all Top Rails and Bottom Feet.

**STEP 3:** **Round Pools** - Close the Expansor and remove all the Top Rails.  
**Rectangular Pools** - Remove corner piece and top rail / uprights.

**STEP 4:** Clean liner and store in cool, dry place.

**IMPORTANT TIP:** We always recommend supporting the vertical uprights with concrete or pressure treated wood base. Failure to use support base may result structural failure which will not covered by the warranty.

**CAUTION:** During the assembling and disassembling process be very careful to not damage liner with ends of framework.-



# Rectangular Pool assembly

**Step. 1:** Locate the area most suited for setting up the pool. Clear it of any sharp objects or debris and level it to zero as explained on "Preparing the Ground" page. If the pool is assembled on unlevelled ground it may suffer permanent structure warps or damage liner.

**Step. 2:** Remove the liner from the box marked: "LINER" and place it at the center of the area where you plan to assemble the pool. Take care not to damage the liner when opening the box.

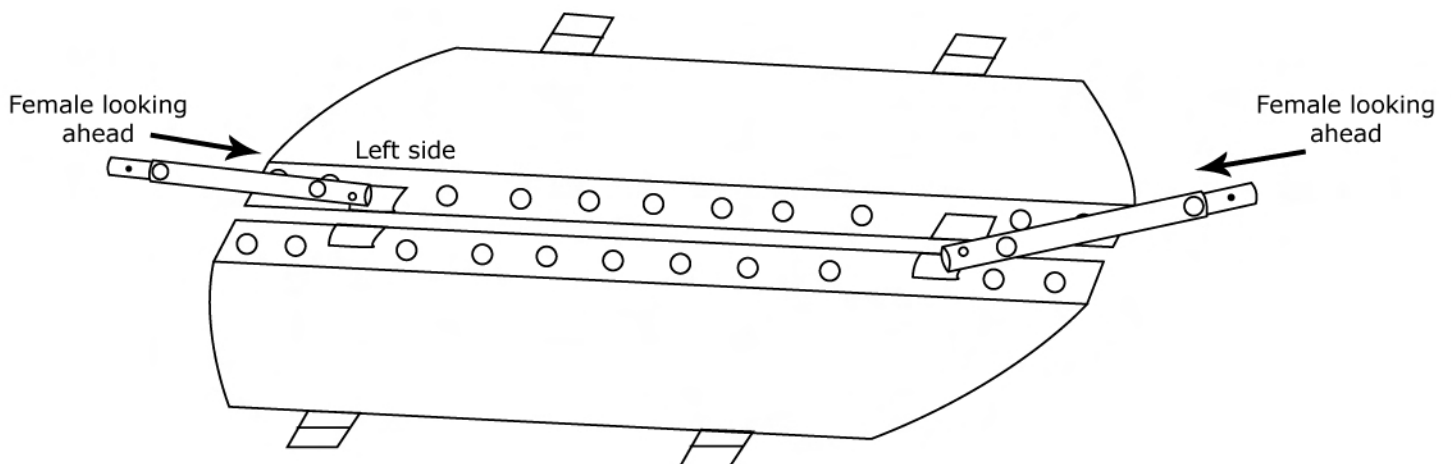
**DO NOT USE SHARP OBJECTS TO OPEN BOX THAT CONTAINS THE LINER.**

**Step. 3:** Unfold the liner. Locate the place where the pump and the filter system will be connected and position the two circular openings for an easier connection to pump and filter.

**Step. 4:** Remove the pipes from the box marked: "FRAME" and separate them into different categories: Top Rails, Vertical Uprights, "U" Pipes, Corner.

**Step. 5:** Assembling long sides first: Starting from the side at your **left**, insert into the rectangular big opening corner of pool a Top Rail with **female** end looking ahead. (Make sure to start from **left** lateral side, this will allow corners to fit correctly). Insert the rest of the pipes one at a time, making sure they are locked correctly, until you hear "click". Make sure all holes in the pipes coincide with the openings on the sleeve. (Take as reference one pipe for each bottom grid. Repeat this operation with the opposite long lateral.

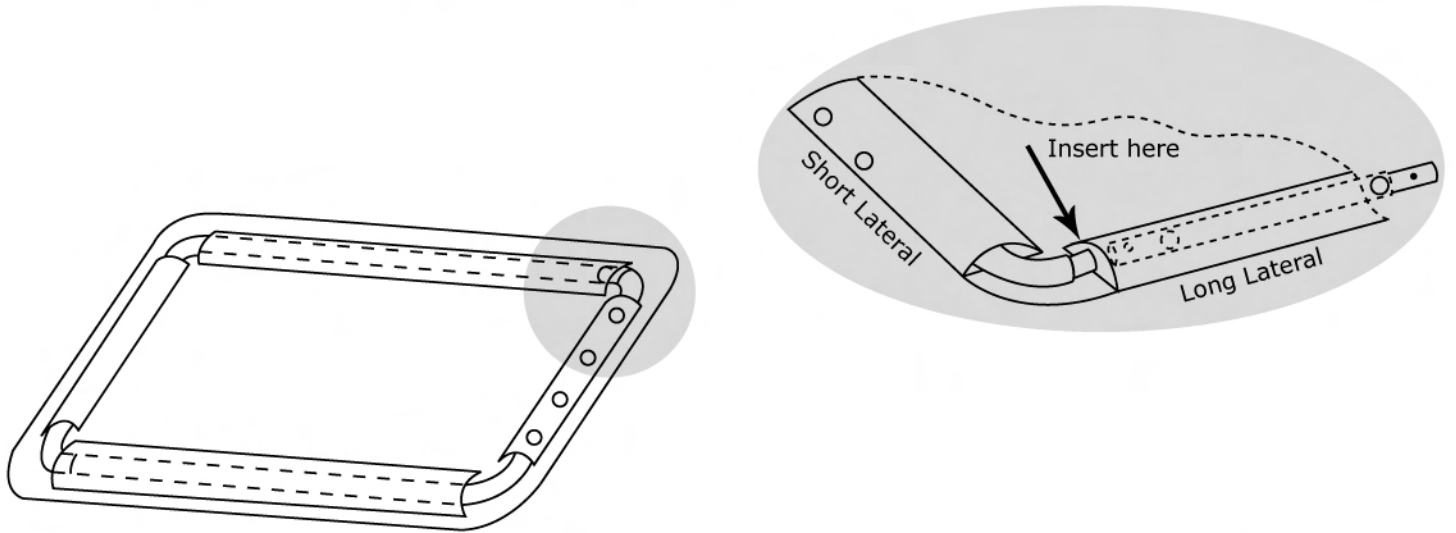
**Important Tip** Always start with the **female** end of the Top Rail on the **left** side as you face the pool. This step is most important to insure that the framework will be assembled correctly.



**Step. 6:** Assembling short sides: Take a long lateral Top Rail and extend it outwards, (2 persons do it better). Repeat with opposite long lateral Top Rail. As you did in Step 5, insert short lateral Top Rails in sleeve, starting from the **left** and with the **female** end looking ahead. Insert one pipe at a time making sure you hear "click". Repeat this operation with the opposite long lateral.

STEP 7: **To finish** with the assembly of the Top Rail, **insert the pipe with the male end into** the female end of the Corner (SEE FIGURE 4)

**IMPORTANT TIP:** Make sure to finish top rail assembly by inserting the last corner piece, **male end first**. This step is very important as the corner piece is designed with an off set. Failure to follow the instructions may result in tearing of the material. **Do not force corner piece, material will not stretch! Make sure to finish with the male end first!**



**Step. 8:** Pull grids under liner outwards. Insert "U" Pipes in every grid. Two people lift one short lateral Top Rail of the pool and a third person places the Vertical Uprights in the Top Rails making sure of hearing "click". Next insert 2 Vertical Uprights into "U" Pipe. Repeat this with opposite short lateral Top Rail. Pool will remain standing, which will make it easier to fit the rest of the Vertical Uprights into "U"s.

**Suggestion:** Once you finish, make sure liner fits comfortable on the structure. Please, go around the pool to check that the framework is assembled correctly. Once you started filling the pool with water you can't make any changes.

**IMPORTANT:** Make sure to place a support base of concrete or pressure treated wood under each vertical upright as correctly shown below.

